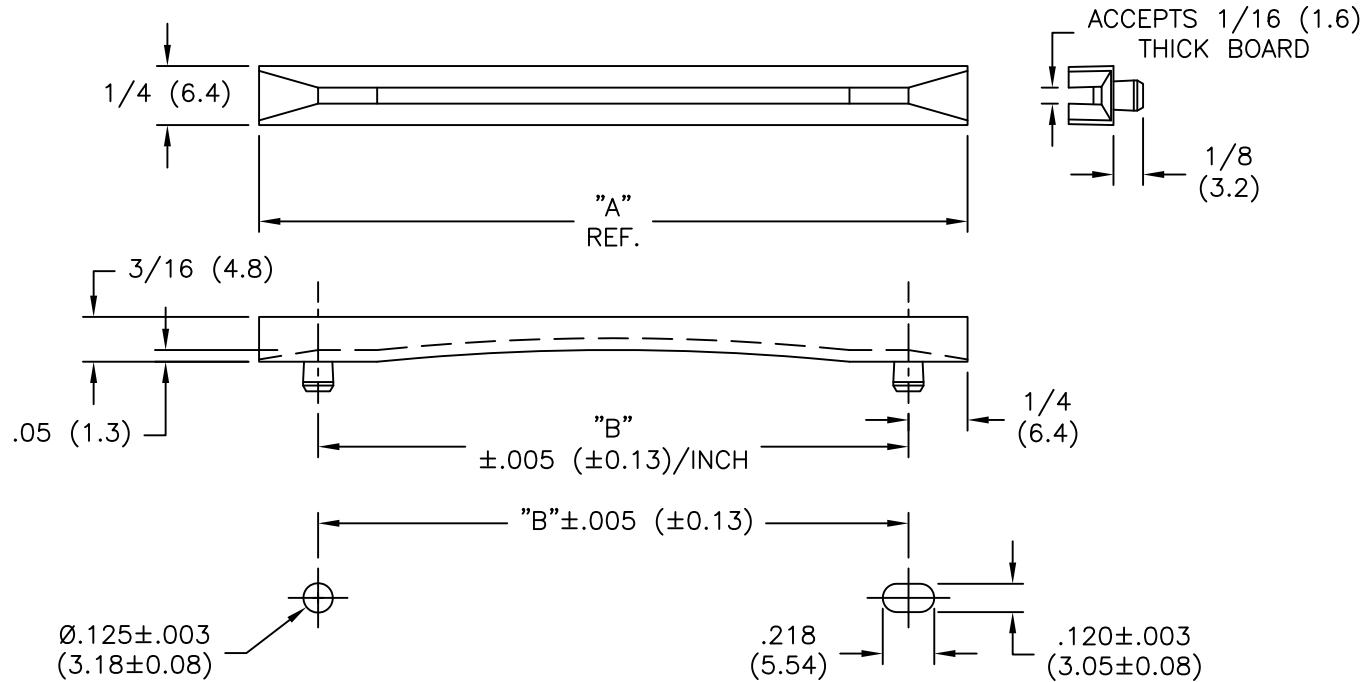


PART NO.	DIM. "A"	DIM. "B"
RCG-1	3.0 (76.2)	2.5 (63.5)
RCG-2	4.0 (101.6)	3.5 (88.9)
RCG-3	6.0 (152.4)	5.5 (139.7)
RCG-4	8.5 (215.9)	8.0 (203.2)



RECOMMENDED MOUNTING HOLES  
IN  $1/16"$  (1.6) NOMINAL THICK PANEL

NOTES:

- MATERIAL: NYLON 6/6 UL94 V-2 (RMS-01)  
-NYLON 6/6 UL94 V-0 (RMS-19).  
AVAILABLE BY SPECIAL ORDER ONLY.
- COLOR: NATURAL.
- ALTERNATE UNITS FOR REFERENCE ONLY.

TITLE: RACK CARD GUIDES			DWG IN IN(MM)		FINAL		
D	SEE CO 200471 FOR CHANGES	SK 12.01.09	FILE # RCG	DWN: J.B.	APP:	PART # SEE TABLE	PRINT TYPE CA
C	SEE ECN #831 FOR CHANGES	SM 08.09.04	MAT'L: SEE NOTES	DT: 12-05-95	DT:		
B	CHANGED DIM. "B" FROM FRAC. TO DEC.	SM 02.05.02	RE: RICHCO, INC.	RICHCO INC. PO BOX 804238, CHICAGO, 60680 (773) 539-4060			
A	CHANGED FILE NUMBER	SM 05.11.01					
REV	DESCRIPTION	ENGR DATE	TOLERANCES UNLESS NOTED .XX=±.010 .XXX=±.005 FRAC=1/64 ANG=1°				