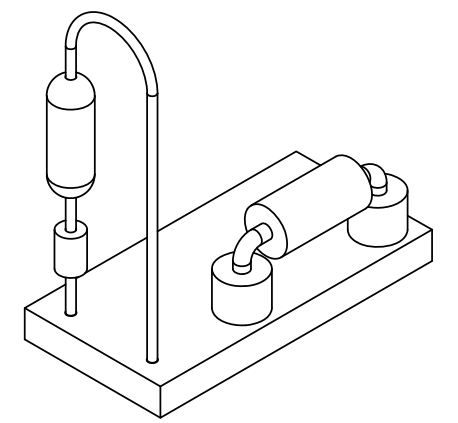
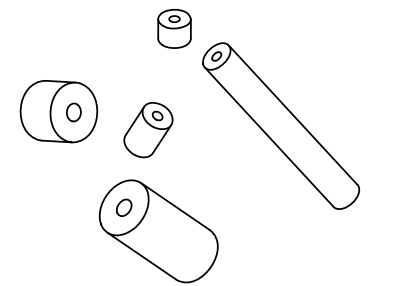
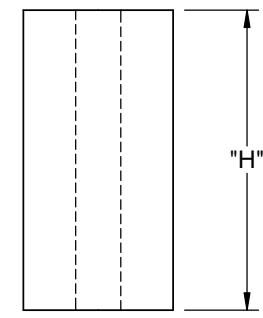
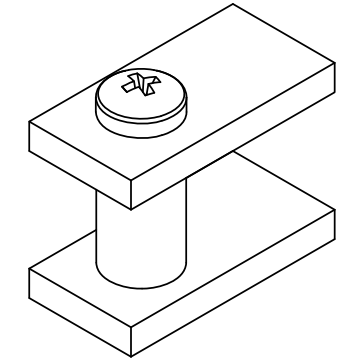
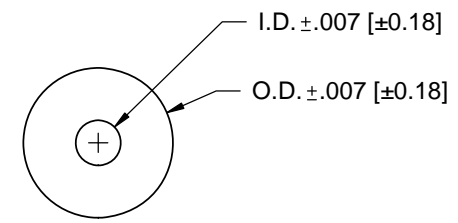


| LENGTH "H"   | DIM. "H"<br>TOLERANCE | PART NO.       |                |                |                |                |                |                |                |
|--------------|-----------------------|----------------|----------------|----------------|----------------|----------------|----------------|----------------|----------------|
|              |                       | ID: .028 [0.7] | ID: .032 [0.8] | ID: .032 [0.8] | ID: .047 [1.2] | ID: .090 [2.3] | ID: .085 [2.2] | ID: .047[1.2]  | ID: .105 [2.7] |
|              |                       | OD: .085 [2.2] | OD: .085 [2.2] | OD: .125 [3.2] | OD: .125 [3.2] | OD: .125 [3.2] | OD: .148 [3.6] | OD: .156 [4.0] | OD: .167 [4.2] |
| 1/16 [1.6]   | ±.007 [±0.18]         | R901-1         | R938-1         | R902-1         | R939-1         | R937-1         | R906-1         | R903-1         | R907-1         |
| 1/8 [3.2]    |                       | R901-2         | R938-2         | R902-2         | R939-2         | R937-2         | R906-2         | R903-2         | R907-2         |
| 3/16 [4.8]   |                       | R901-3         | R938-3         | R902-3         | R939-3         | R937-3         | R906-3         | R903-3         | R907-3         |
| 1/4 [6.4]    |                       | R901-4         | R938-4         | R902-4         | R939-4         | R937-4         | R906-4         | R903-4         | R907-4         |
| 5/16 [7.9]   |                       | R901-5         | R938-5         | R902-5         | R939-5         | R937-5         | R906-5         | R903-5         | R907-5         |
| 3/8 [9.5]    |                       | R901-6         | R938-6         | R902-6         | R939-6         | R937-6         | R906-6         | R903-6         | R907-6         |
| 7/16 [11.1]  |                       | R901-7         | R938-7         | R902-7         | R939-7         | R937-7         | R906-7         | R903-7         | R907-7         |
| 1/2 [12.7]   |                       | R901-8         | R938-8         | R902-8         | R939-8         | R937-8         | R906-8         | R903-8         | R907-8         |
| 9/16 [14.3]  | ±.010 [±0.25]         | *R901-9        | *R938-9        | *R902-9        | *R939-9        | *R937-9        | *R906-9        | *R903-9        | *R907-9        |
| 5/8 [15.9]   |                       | *R901-10       | *R938-10       | *R902-10       | *R939-10       | *R937-10       | *R906-10       | *R903-10       | *R907-10       |
| 11/16 [17.5] |                       | *R901-11       | *R938-11       | *R902-11       | *R939-11       | *R937-11       | *R906-11       | *R903-11       | *R907-11       |



| LENGTH "H"   | DIM. "H"<br>TOLERANCE | PART NO.       |                |                |                |                |                |                |
|--------------|-----------------------|----------------|----------------|----------------|----------------|----------------|----------------|----------------|
|              |                       | ID: .063 [1.6] | ID: .091 [2.3] | ID: .125 [3.2] | ID: .091 [2.3] | ID: .125 [3.2] | ID: .147 [3.7] | ID: .171 [4.3] |
|              |                       | OD: .187 [4.8] | OD: .187 [4.8] | OD: .187 [4.8] | OD: .250 [6.4] | OD: .250 [6.4] | OD: .250 [6.4] | OD: .250 [6.4] |
| 1/16 [1.6]   | ±.007 [±0.18]         | R904-1         | R913-1         | R908-1         | R910-1         | R911-1         | R905-1         | R912-1         |
| 1/8 [3.2]    |                       | R904-2         | R913-2         | R908-2         | R910-2         | R911-2         | R905-2         | R912-2         |
| 3/16 [4.8]   |                       | R904-3         | R913-3         | R908-3         | R910-3         | R911-3         | R905-3         | R912-3         |
| 1/4 [6.4]    |                       | R904-4         | R913-4         | R908-4         | R910-4         | R911-4         | R905-4         | R912-4         |
| 5/16 [7.9]   |                       | R904-5         | R913-5         | R908-5         | R910-5         | R911-5         | R905-5         | R912-5         |
| 3/8 [9.5]    |                       | R904-6         | R913-6         | R908-6         | R910-6         | R911-6         | R905-6         | R912-6         |
| 7/16 [11.1]  |                       | R904-7         | R913-7         | R908-7         | R910-7         | R911-7         | R905-7         | R912-7         |
| 1/2 [12.7]   |                       | R904-8         | R913-8         | R908-8         | R910-8         | R911-8         | R905-8         | R912-8         |
| 9/16 [14.3]  | ±.010 [±0.25]         | *R904-9        | *R913-9        | *R908-9        | *R910-9        | *R911-9        | *R905-9        | *R912-9        |
| 5/8 [15.9]   |                       | *R904-10       | *R913-10       | *R908-10       | *R910-10       | *R911-10       | *R905-10       | *R912-10       |
| 11/16 [17.5] |                       | *R904-11       | *R913-11       | *R908-11       | *R910-11       | *R911-11       | *R905-11       | *R912-11       |



**\*PARTS AVAILABLE BY SPECIAL ORDER ONLY.**

NOTES:  
 1. MATERIAL: MODIFIED TYPE 6 NYLON (RMS-60).  
 2. COLOR: WHITE.  
 COLOR BLACK AVAILABLE BY SPECIAL ORDER. TO ORDER ADD "BK" AT THE END OF PART NUMBER.

|      |                           |       |            |
|------|---------------------------|-------|------------|
| K    | SEE CO 200768 FOR CHANGES | SK    | 03/26/2012 |
| J    | SEE CO 200243 FOR CHANGES | SK    | 09/17/08   |
| I    | SEE CO 200035 FOR CHANGES | SK    | 09/26/07   |
| H    | SEE ECN #863 FOR CHANGES  | SM    | 10.04.04   |
| G    | SEE ECN #815 FOR CHANGES  | SM    | 07/02/04   |
| REV. | DESCRIPTION               | ENGR. | DATE       |

|   |  |               |              |                |           |       |  |
|---|--|---------------|--------------|----------------|-----------|-------|--|
| TITLE: <b>NYLON SPACERS</b>   |  |               |              | DWG IN IN [MM] |           | FINAL |  |
| CREATED USING SOLIDWORKS  | FILE #: R900   | DWN: SM       | APP: -       | PART #         |           |       |  |
| TOLERANCES UNLESS NOTED<br>.XX=±.010<br>.XXX=±.005<br>FRAC.=±1/64<br>ANG.=±1° | SHEET: 1 OF 1  | SHEET SIZE: B | DT: 07/01/04 | CHKD: -        | SEE TABLE |       |  |
| RE: RICHCO, INC.  | RICHCO, INC.<br>ENG@RICHCO-INC.COM<br>(773) 539-4060 |               | PRINT TYPE   |                | CA        |       |  |