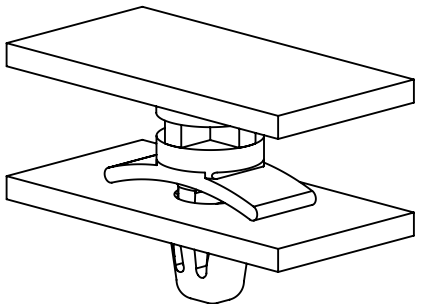


MATERIAL: NYLON 6/6 UL 94 V-2 (RMS-01) COLOR: NATURAL PART NO.	MATERIAL: NYLON 6/6 UL 94 V-0 (RMS-19) COLOR: NATURAL PART NO.	DIM. "A" ±.015 [0.4]
PS-3-01	PS-3-19	3/16 [4.8]
PS-4-01	PS-4-19	1/4 [6.4]
PS-6-01	PS-6-19	3/8 [9.5]
PS-7-01	PS-7-19	7/16 [11.1]
PS-8-01	PS-8-19	1/2 [12.7]
PS-9-01	PS-9-19	9/16 [14.3]
PS-10-01	PS-10-19	5/8 [15.9]
PS-12-01	PS-12-19	3/4 [19.1]



TYPICAL APPLICATION

- NOTES:
- MATERIAL: "IMPACT MODIFIED" NYLON 6/6 (RMS-73) AVAILABLE BY SPECIAL ORDER ONLY. TO ORDER RELACE "-01" WITH "-73". MATERIAL: " HEAT RESISTANT" NYLON 4/6 UL 94 V-2 (RMS-109) AVAILABLE BY SPECIAL ORDER ONLY. TO ORDER REPLACE "-01" WITH "-109"
 - COLOR: BLACK AVAILABLE BY SPECIAL ORDER ONLY. TO ORDER ADD SUFFIX "BK" TO PART NO.
 - PART IS ALSO AVAILABLE IN A 1/8 (3.2) THICK CHASSIS BY SPECIAL ORDER ONLY. TO ORDER USE P/N: PS-2-XX-XX

<table border="1"> <tr> <td>I</td> <td>ADDED PS-9, ECN # 1368</td> <td>DZ 07/03/2012</td> </tr> <tr> <td>H</td> <td>SEE ECN #1208 FOR CHANGES</td> <td>SK 11/29/2006</td> </tr> <tr> <td>G</td> <td>SEE ECN #1196 FOR CHANGES</td> <td>SK 07/17/2006</td> </tr> <tr> <td>F</td> <td>COMPLETELY REDRAWN, SEE ECN #949</td> <td>SK 02/24/2005</td> </tr> <tr> <td>-</td> <td>SEE ENGINEERING FOR REVISIONS A-E</td> <td>-</td> </tr> <tr> <td>REV.</td> <td>DESCRIPTION</td> <td>ENGR. DATE</td> </tr> </table>			I	ADDED PS-9, ECN # 1368	DZ 07/03/2012	H	SEE ECN #1208 FOR CHANGES	SK 11/29/2006	G	SEE ECN #1196 FOR CHANGES	SK 07/17/2006	F	COMPLETELY REDRAWN, SEE ECN #949	SK 02/24/2005	-	SEE ENGINEERING FOR REVISIONS A-E	-	REV.	DESCRIPTION	ENGR. DATE	<table border="1"> <tr> <td colspan="2"> CREATED USING SOLIDWORKS </td> <td>FILE #: PS</td> <td>DWN: SK</td> <td>APP: SK</td> </tr> <tr> <td colspan="2"> TOLERANCES UNLESS NOTED .XX=±.010 .XXX=±.005 FRAC.=±1/64 ANG.=±1° </td> <td>SHEET: 1 OF 1</td> <td>SHEET SIZE: A</td> <td>DT: 02/24/05</td> </tr> <tr> <td colspan="2">RE: RICHCO, INC.</td> <td colspan="2">RICHCO, INC.</td> <td>CHKD: DZ</td> </tr> <tr> <td colspan="2"></td> <td colspan="2"> RICHCO, INC. ENG@RICHCO-INC.COM (773) 539-4060 </td> <td></td> </tr> </table>				CREATED USING SOLIDWORKS		FILE #: PS	DWN: SK	APP: SK	TOLERANCES UNLESS NOTED .XX=±.010 .XXX=±.005 FRAC.=±1/64 ANG.=±1°		SHEET: 1 OF 1	SHEET SIZE: A	DT: 02/24/05	RE: RICHCO, INC.		RICHCO, INC.		CHKD: DZ			RICHCO, INC. ENG@RICHCO-INC.COM (773) 539-4060			UNITS: IN [mm]		
I	ADDED PS-9, ECN # 1368	DZ 07/03/2012																																													
H	SEE ECN #1208 FOR CHANGES	SK 11/29/2006																																													
G	SEE ECN #1196 FOR CHANGES	SK 07/17/2006																																													
F	COMPLETELY REDRAWN, SEE ECN #949	SK 02/24/2005																																													
-	SEE ENGINEERING FOR REVISIONS A-E	-																																													
REV.	DESCRIPTION	ENGR. DATE																																													
CREATED USING SOLIDWORKS		FILE #: PS	DWN: SK	APP: SK																																											
TOLERANCES UNLESS NOTED .XX=±.010 .XXX=±.005 FRAC.=±1/64 ANG.=±1°		SHEET: 1 OF 1	SHEET SIZE: A	DT: 02/24/05																																											
RE: RICHCO, INC.		RICHCO, INC.		CHKD: DZ																																											
		RICHCO, INC. ENG@RICHCO-INC.COM (773) 539-4060																																													
TITLE: PUSH SPACER					FINAL		PART # SEE TABLE		PRINT TYPE CA																																						