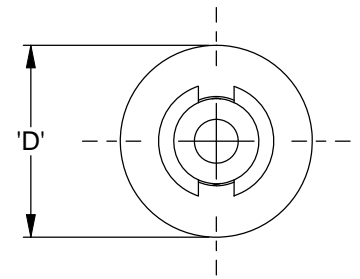
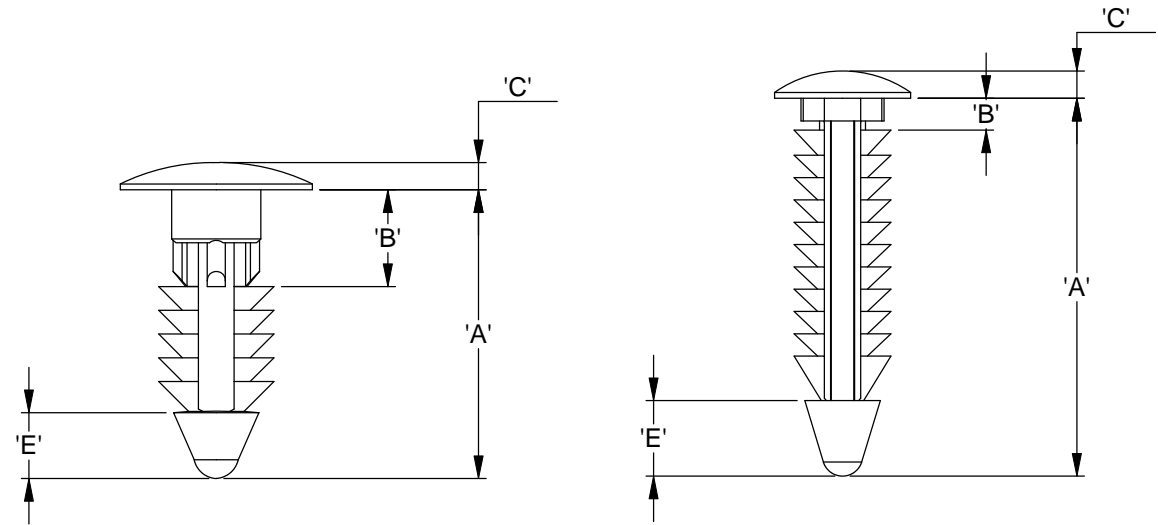
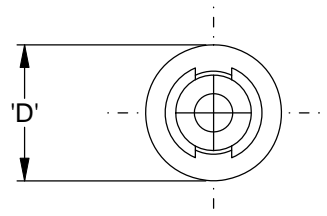


REV.	MODIFICATION.	DATE	DRN
01	New Drawing ECN06-246.	16/11/06	NJB
02	ECN2007-095	05/06/07	SF
03	ECN2007-147	11/09/07	TC
04	CO2010299	07/08/08	SF
05	CO2010910	08/04/10	TC
06	CO2011041	19/01/11	SF



STYLE 1



STYLE 2

NOTES

1. ALTERNATE UNITS FOR REFERENCE ONLY
2. FOR USE IN A THREADED, NON-THREADED, DRILLED OR PUNCHED HOLE.
3. PARTS NATURAL AS STANDARD BUT ALSO AVAILABLE IN BLACK BY SPECIAL ORDER. ADD BK TO END OF PART NUMBER

INFORMATION CONTAINED IN THIS DOCUMENT IS CONFIDENTIAL TO RICHCO INTERNATIONAL Co. Ltd. AND MAY NOT BE DISCLOSED OR REPRODUCED IN WHOLE OR PART WITHOUT THEIR WRITTEN CONSENT.

RICHCO, INC.
WWW.RICHCO-INC.COM

GENERAL TOLERANCES ±0.25 [0.010]
UNLESS OTHERWISE STATED
1 DECIMAL PLACE ±
2 DECIMAL PLACES ±
ANGULAR ±1°



MATERIAL: **NYLON 6/6 UL 94 V2 (RMS-01)** COLOUR: **SEE NOTE 3**

DESCRIPTION: **PAWL LOCK** PART No: **SEE TABLE**

DRG No: **06-140** NPR No: **N/A** SHEET SIZE **A4**

DRN: **NJB** DATE: **16/11/06** CHKD: **TC** DATE: **16/11/06** SCALE: **NTS** SHEET No.: **1 OF 1**

PART NUMBER	"A" DIM	"B" DIM	"C" DIM	"D" DIM	"E" DIM	HOLE SIZE	STYLE
PL-250-10-01	15.4[.606]	3.2[.125]	2.0[.078]	12.7[.500]	4.1[.161]	6.35[.250]	1
PL-250-12-01	19.1[.751]	6.7[.264]	1.8[.070]				
PL-250-20-01	25.0[.984]	2.1[.082]		9.0[.354]	5.0[.196]	5.5[.216]	2