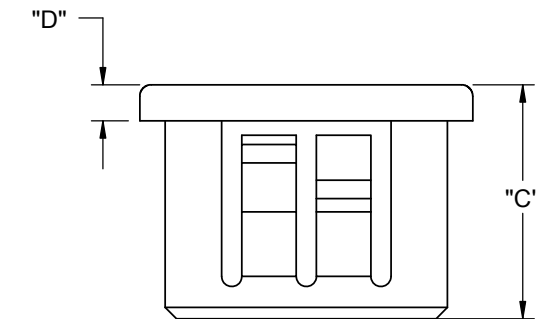
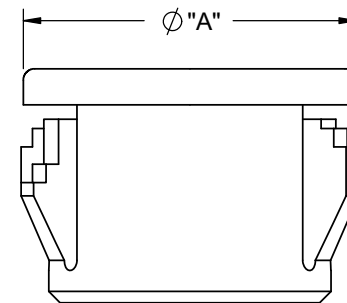
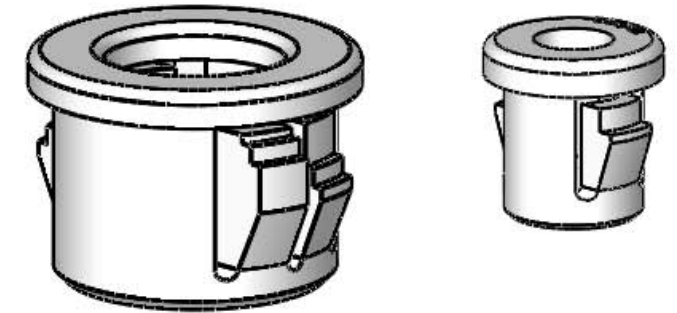
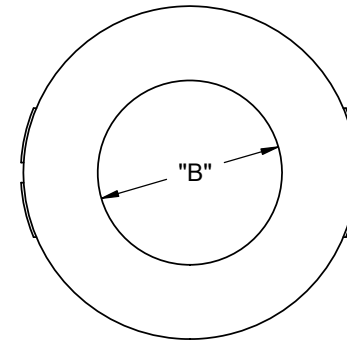


PART NO.	HOLE DIAMETER	PANEL THICKNESS	HEAD DIAMETER "A"±.020	TO ACCOMMODATE BUNDLE DIA. "B" REF	OVERALL HEIGHT "C"±.010	"D"	
PGSB-0305	.189±.003 [4.8]	.063-.067 [1.6-1.7]	.26 [6.5]	.125 [3.2]	.24 [6]	.051 [1.3]	
PGSB-1	.250±.003 [6.35]	.062 [1.57] MAX	.312 [7.9]	.187 [4.7]	.312 [7.9]	.063 [1.6]	
PGSB-2	.312±.003 [7.9]		.375 [9.5]	.240 [6.1]	.237 [6]	.050 [1.27]	
PGSB-3							
PGSB-4	.375±.002 [9.5]	.031-.125 [0.8-3.2]	.468 [11.9]	.187 [4.7]	.406 [10.3]	.055 [1.4]	
PGSB-5				.250 [6.35]			
PGSB-0710	.394±.003 [10]	.031-.063 [0.8-1.6]	.472 [12]	.284 [7.2]	.260 [6.6]	.051 [1.3]	
PGSB-6				.270 [6.85]			
PGSB-7	.437±.002 [11.1]	.031-.125 [0.8-3.2]	.531 [13.5]	.312 [7.9]	.406 [10.3]	.055 [1.4]	
PGSB-8				.250 [6.35]			
PGSB-9	.468±.002 [11.9]	.062 [1.57] MAX		.343 [8.7]	.250 [6.35]	.050 [1.27]	
PGSB-10				.250 [6.35]			
PGSB-11	.500±.002 [12.7]	.031-.125 [0.8-3.2]	.578 [14.7]	.312 [7.9]	.406 [10.3]	.063 [1.6]	
PGSB-12		.062 [1.57] MAX	.562 [14.3]	.375 [9.5]	.250 [6.35]		
PGSB-1013	.512±.003 [13]	.031-.118 [0.8-3]	.591 [15]	.402 [10.2]	.354 [9]	.051 [1.3]	
PGSB-13	.531±.002 [13.5]	.062 [1.57] MAX	.593 [15.1]	.406 [10.3]	.250 [6.35]		
PGSB-14				.312 [7.9]			
PGSB-15	.562±.002 [14.3]	.031-.125 [0.8-3.2]	.656 [16.7]	.391 [9.9]	.406 [10.3]	.063 [1.6]	
PGSB-16					.437 [11.1]		
PGSB-17			.718 [18.2]	.250 [6.35]			
PGSB-18	.625±.002 [15.9]			.437 [11.1]			
PGSB-19		.062 [1.57] MAX	.703 [17.85]	.500 [12.7]	.250 [6.35]		
PGSB-1316	.630±.003 [16]	.055-.139 [1.4-3.5]	.709 [18]	.504 [12.8]	.413 [10.5]	.059 [1.5]	
PGSB-20				.500 [12.7]			
PGSB-21	.687±.002 [17.5]	.031-.125 [0.8-3.2]	.781 [19.8]	.562 [14.3]	.406 [10.3]	.063 [1.6]	
PGSB-1519	.748±.003 [19]	.039-.130 [1-3.3]	.854 [21.7]	.602 [15.3]	.433 [11]	.059 [1.5]	
PGSB-22				.500 [12.7]			
PGSB-23	.750±.002 [19.1]	.031-.125 [0.8-3.2]	.843 [21.4]	.562 [14.3]	.406 [10.3]	.063 [1.6]	
PGSB-24				.828 [21]			
PGSB-25	.781±.002 [19.8]	.062 [1.57] MAX	.859 [21.8]	.625 [15.9]	.250 [6.35]		
PGSB-1822	.866±.003 [22]	.035-.091 [0.9-2.3]	.976 [24.8]	.717 [18.2]		.059 [1.5]	
PGSB-26				.500 [12.7]			
PGSB-27	.875±.002 [22.2]	.031-.125 [0.8-3.2]	.953 [24.2]	.562 [14.3]	.453 [11.5]		
PGSB-28				.625 [15.9]			
PGSB-29				.687 [17.45]			
PGSB-30							
PGSB-31	1.000±.002 [25.4]	.062 [1.57] MAX	.937 [23.8]	.750 [19.1]	.250 [6.35]	.063 [1.6]	
PGSB-32			1.125 [28.6]	.766 [19.45]			
PGSB-33	1.097±.004 [27.86]	.031-.125 [0.8-3.2]	1.218 [31]	.812 [20.6]	.453 [11.5]		
PGSB-34				.875 [22.2]			
PGSB-34				.937 [23.8]			
PGSB-2428	1.102±.003 [28]	.039-.130 [1-3.3]	1.240 [31.5]	.945 [24]	.441 [11.2]	.059 [1.5]	
PGSB-2530	1.181±.003 [30]	.039-.122 [1-3.1]	1.319 [33.5]	.984 [25]		.071 [1.8]	
PGSB-2634	1.347±.003 [34.2]	.039-.126 [1-3.2]	1.496 [38]	1.031 [26.2]		.059 [1.5]	
PGSB-35	1.250±.002 [31.75]	.031-.125 [0.8-3.2]	1.609 [40.9]	1.312 [33.3]	.453 [11.5]	.063 [1.6]	
PGSB-36	1.375±.002 [34.9]			1.468 [37.3]			1.000 [25.4]
PGSB-37				1.062 [27]			
PGSB-38	1.500±.002 [38.1]			1.125 [28.6]			
PGSB-39				1.312 [33.3]			
PGSB-40	1.750±.002 [44.45]			1.875 [47.6]			1.375 [34.9]
PGSB-41							1.640 [41.7]
PGSB-42	2.000±.002 [50.8]			2.125 [54]			1.750 [44.5]
PGSB-43	2.250±.003 [57.2]	.250 [6.35] MAX	2.480 [63]	1.850 [47]	.720 [18.2]		



- NOTES:
- MATERIAL: NYLON 6/6 UL 94 V-2 (RMS-01)
-NYLON 6/6 UL 94 V-0 (RMS-19),
AVAILABLE BY SPECIAL ORDER ONLY. TO ORDER, ADD SUFFIX "-V0"
 - COLOR: BLACK.
COLOR WHITE AVAILABLE BY SPECIAL ORDER ONLY.
 - PARTS MAY APPEAR WITH ONE OR TWO LOCKING MECHANISMS PER SIDE.
-SOME PARTS MAY APPEAR WITH RICHCO LOGO.

TITLE: SNAP BUSHINGS CLOSED					
CREATED USING SOLIDWORKS	FILE #: PGSB	DWN: SK	APP: SK	FINAL	
TOLERANCES UNLESS NOTED .XX=±.010 .XXX=±.005 FRAC.=±1/64 ANG.=±1°	SHEET: 1 OF 1	SHEET SIZE: B	DT: 11/17/08	CHKD: SJ	PART #
RE: RICHCO, INC.		RICHCO, INC. ENG@RICHCO-INC.COM (773) 539-4060		SEE TABLE	PRINT TYPE CA

I	SEE CO 200743 FOR CHANGES	SK	02/09/2012
-	SEE ENGINEERING FOR REVISIONS A TO H	--	----
	DESCRIPTION	ENGR.	DATE