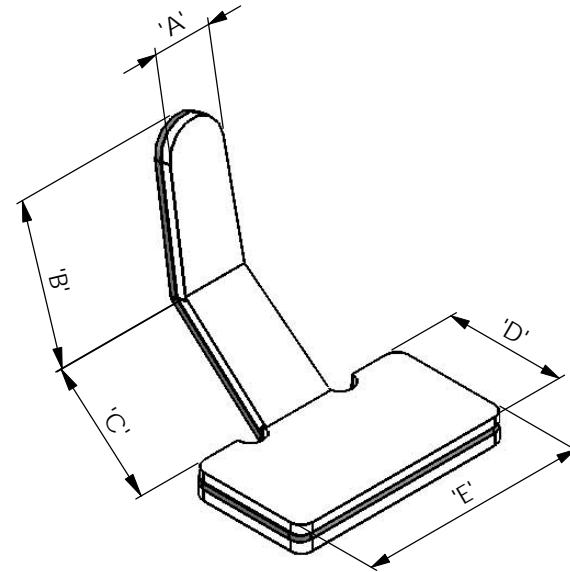
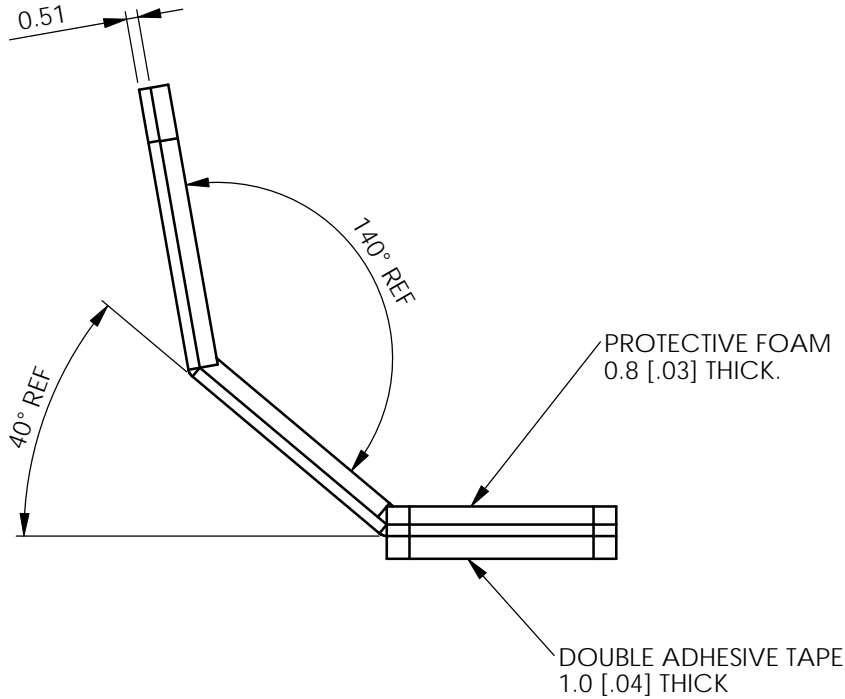


REV.	MODIFICATION.	DATE	DRN
01	ECN 04-233	15/12/04	NJB
02	ECN 06-057	16/03/06	OW
03	CO2010951	08/07/10	SF



NOTES:

- MATERIAL: ALUMINIUM( RMS-194 )FOAM COATING (RMS-314) ADHESIVE TAPE(RMS-093)

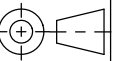
ALTERNATE UNITS FOR REFERENCE ONLY

INFORMATION CONTAINED IN THIS DOCUMENT IS CONFIDENTIAL TO RICHCO INTERNATIONAL Co. Ltd. AND MAY NOT BE DISCLOSED OR REPRODUCED IN WHOLE OR PART WITHOUT THEIR WRITTEN CONSENT.

**RICHCO, INC.**  
WWW.RICHCO-INC.COM

ALL DIMENSIONS IN mm  
GENERAL TOLERANCES  $\pm 0.25$   
UNLESS OTHERWISE STATED  
1 DECIMAL PLACE  $\pm$   
2 DECIMAL PLACES  $\pm$   
ANGULAR  $\pm 1^\circ$

THIRD ANGLE



MATERIAL:  
SEE NOTES

COLOUR:  
GREY COATED

DESCRIPTION:  
PLASTIC FOAM COATED CLIP

PART No:  
See Table

DRG No:  
04-186

NPR No:  
SHEET SIZE A4

DRN  
NJB

DATE  
15/12/04

CHKD  
NBR

DATE  
15/12/04

SCALE  
NTS

SHEET No.  
1 OF 1

PART NUMBER	A	B	C	D	E
PFC-25M	4.8[0.188]	12.55[0.494]	11.10[0.437]	10.10[0.397]	19.10[0.751]
PFC-50M	5.20[0.204]	14.55[0.572]	14.10[0.555]	14.05[0.553]	24.95[0.982]