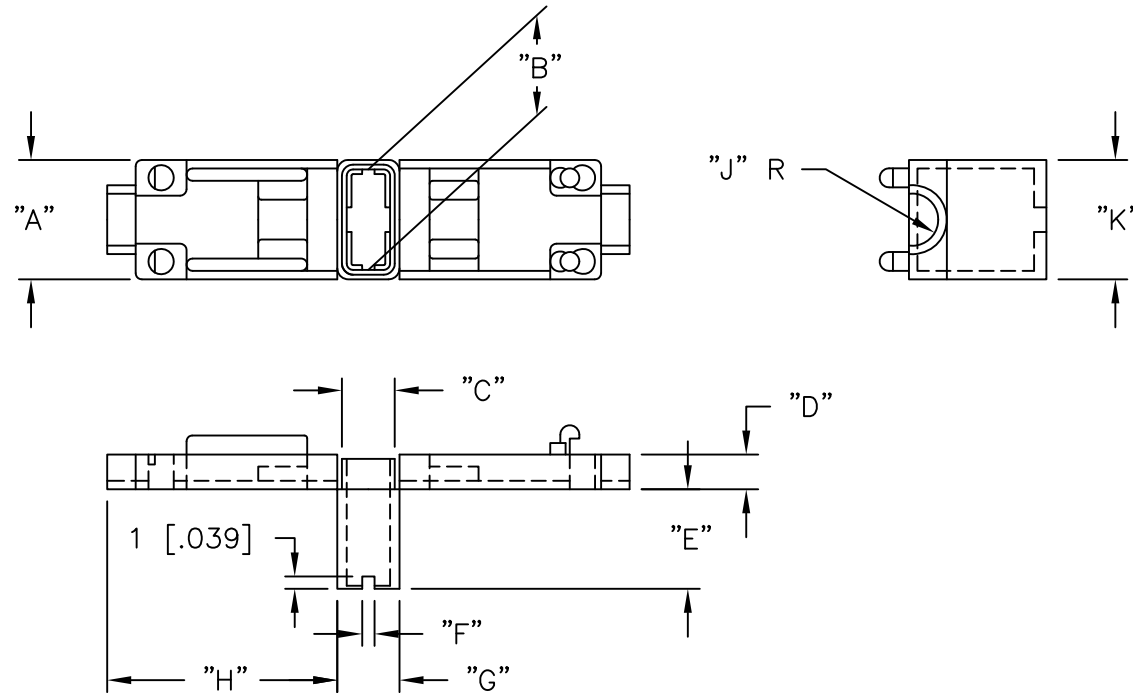


PART NO.	TERMINAL TYPE	WIRE DIA.	"A"	"B"	"C"	"D" REF	"E"	"F"	"G"	"H" REF	"J" REF	"K"	U.L. CAT. NO.
OS-187	STRAIGHT TYPE 187 SERIES	3.6 [9/64]	8.8 [.346]	6.1 [.240]	2.7 [.106]	2.6 [.102]	6.8 [.268]	1	3.9 [.154]	15.1 [.594]	1.8 [.071]	7.5 [.295]	51A
OS-250	STRAIGHT TYPE 250 SERIES	3.8 [5/32]	9.8 [.386]	7.9 [.311]	3.4 [.164]	2.8 [.110]	8 [.315]	[.039]	4.7 [.185]	18.5 [.728]	2.05 [.081]	9.1 [.358]	50B

AVAILABLE BY SPECIAL ORDER ONLY



NOTES:

1. MATERIAL: NYLON 6 UL94 V-2, (RMS-120).
2. COLOR: NATURAL.
3. ALTERNATE UNITS FOR REFERENCE ONLY.

F SEE CO 200479 FOR CHANGES SK 12.15.09 E SEE CO 200344 FOR CHANGES SK 03.18.09 D SEE CO 200041 FOR CHANGES SK 09.28.07 C SEE ECN #913 FOR CHANGES SK 01.12.05 B RMS-120 WAS RMS-61; CHANGED FILE NO. SM 10.25.01 A RMS-61 WAS RMS-28 PB 102794 REV DESCRIPTION ENGR DATE			TITLE: "ONE TOUCH" SLEEVE INSULATOR (OS SERIES)				DWG IN mm [IN]			
TOLERANCES UNLESS NOTED ±0.4 ANG=±1°			FILE # OS		DWN: P.B.		DT: 05-10-94		FINAL	
			MAT'L: SEE NOTES		CHKD:		ENG:		PART #	
			RE: RICHCO, INC.		RICHCO INC. ENG@RICHCO-INC.COM (773) 539-4060		SEE TABLE		PRINT TYPE CA	