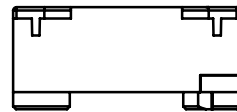
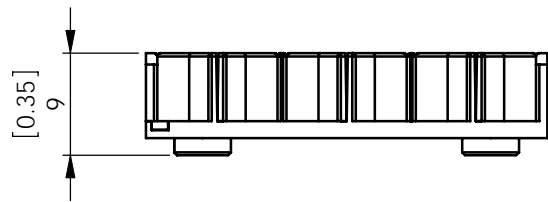
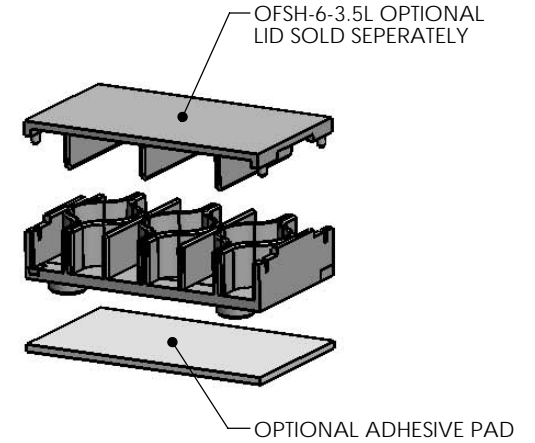
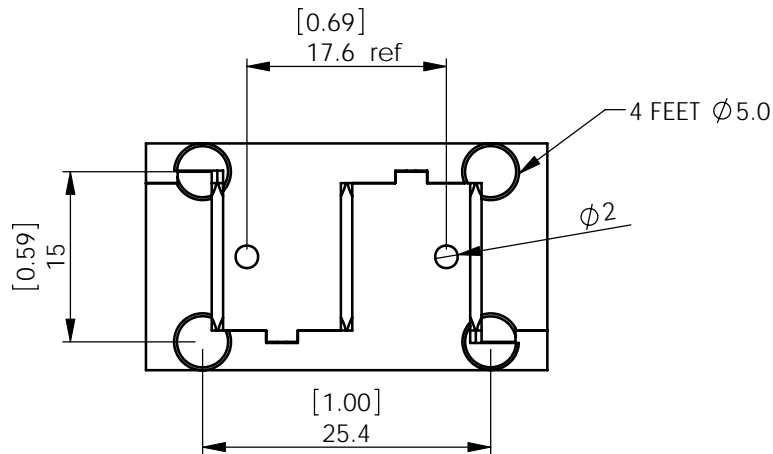


REV.	MODIFICATION.	DATE	DRN
01	CO2010621	11/06/09	SF



MINIFLEX TECHNOLOGY MANUFACTURED BY RICHCO	
MATL MIX: POLYPROPYLENE, RMS-150; TPE, RMS-182; COLOUR: NATURAL ADHESIVE TAPE, RMS-400	
PART NUMBER	ADHESIVE
OFSH-6-3.5	WITHOUT ADHESIVE
OFSH-6-3.5A	WITH ADHESIVE
OFSH-6-3.5L	LID, WITHOUT ADHESIVE

ALTERNATE UNITS FOR REFERENCE ONLY



INFORMATION CONTAINED IN THIS DOCUMENT IS CONFIDENTIAL TO RICHCO INTERNATIONAL Co. Ltd. AND MAY NOT BE DISCLOSED OR REPRODUCED IN WHOLE OR PART WITHOUT THEIR WRITTEN CONSENT.



ALL DIMENSIONS IN mm  
GENERAL TOLERANCES ±0.25  
UNLESS OTHERWISE STATED  
1 DECIMAL PLACE ±  
2 DECIMAL PLACES ±  
ANGULAR ±1°



MATERIAL: SEE TABLE		COLOUR: NATURAL	
DESCRIPTION: OPTICAL FIBER SPLICE HOLDER		PART No: SEE TABLE	
DRG No: 09-024		NPR No:	
DRN MT		DATE 14/04/09	
CHKD SF		DATE 11/06/09	
SCALE NTS		SHEET No. 1 OF 1	
SHEET SIZE A4			