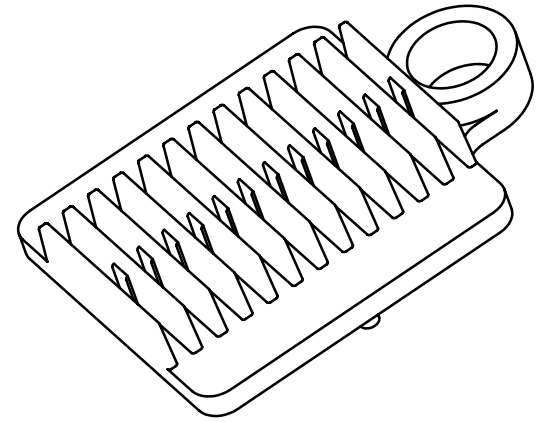
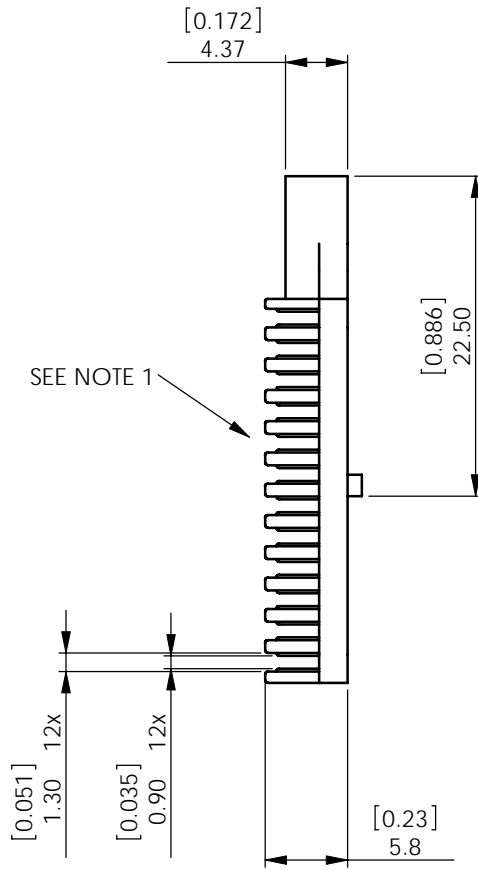
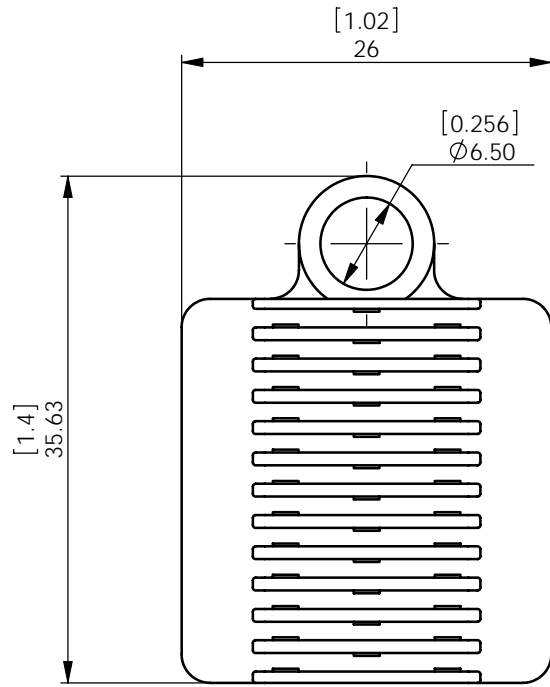
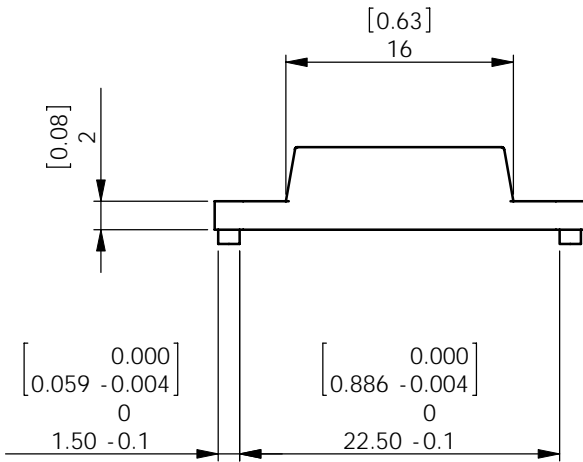


REV.	MODIFICATION.	DATE	DRN
01	CO 2010732	14/07/09	TC



- NOTES:
 1) FINS MAY BE SUBJECT TO SLIGHT GASSING ON EDGES
 2) ALTERNATE UNITS FOR REFERENCE ONLY

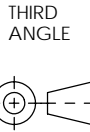


PART No	MATERIAL
OFSH-T-12-01BLK	NYLON 66 UL94 V-2 (RMS-01)
OFSH-T-12-19BLK	NYLON 66 UL94 V-0 (RMS-19)

INFORMATION CONTAINED IN THIS DOCUMENT IS CONFIDENTIAL TO RICHCO INTERNATIONAL Co. Ltd. AND MAY NOT BE DISCLOSED OR REPRODUCED IN WHOLE OR PART WITHOUT THEIR WRITTEN CONSENT.

RICHCO, INC.
 WWW.RICHCO-INC.COM

ALL DIMENSIONS IN mm
 GENERAL TOLERANCES ±0.25
 UNLESS OTHERWISE STATED
 1 DECIMAL PLACE ±
 2 DECIMAL PLACES ±
 ANGULAR ±1°



MATERIAL: SEE TABLE		COLOUR: BLACK	
DESCRIPTION: SPLICE HOLDER		PART No: SEE TABLE	
DRG No: 09-065	NPR No: 2001-146	SHEET SIZE A4	
DRN TC	DATE 14/07/09	CHKD JK	DATE 14/07/09
SCALE NTS	SHEET No. 1 OF 1		