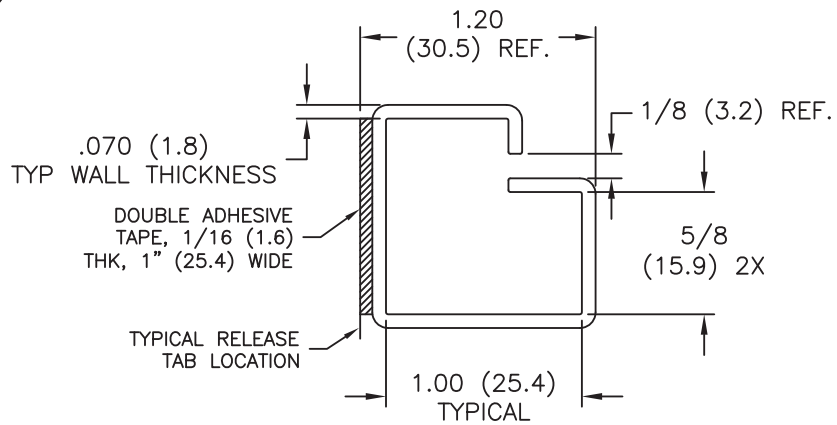
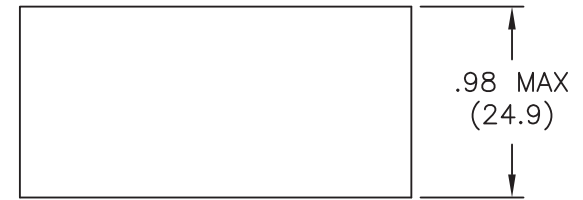
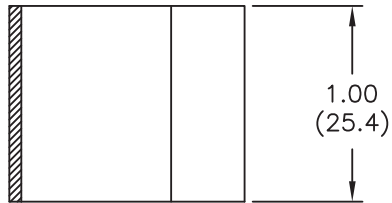
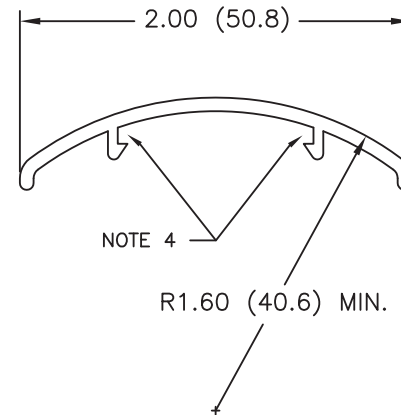


TYPICAL ASSEMBLY



OFCC-16-A-RT



OCFG-16

NOTES:

1. MATERIAL: RIGID PVC (RMS-04).
2. COLOR: BLACK.
3. TAPE: ACRYLIC ADHESIVE TAPE (RMS-15)
4. OFCG TO SNAP FIT OVER OFCC AS SHOWN IN TYPICAL ASSEMBLY

| | | |
|-----|---------------------------|-------------|
| E | SEE CO 200745 FOR CHANGES | SK 01.06.12 |
| D | SEE CO 200390 FOR CHANGES | SK 07.21.09 |
| C | SEE ECN #1342 FOR CHANGES | SK 06.26.07 |
| B | SEE ECN #1044 | SK 08.25.05 |
| A | CHANGED FILE NO. | SM 10.30.02 |
| REV | DESCRIPTION | ENGR DATE |

| | | | |
|-----------------------------------|--|---------------|------------------|
| TITLE: OPTICAL FIBER COILING CLIP | | DWG IN IN(MM) | PR |
| FILE # OFCC-OCFG | DWN: R.S. | APP: | FINAL |
| MAT'L: SEE NOTES | DT: 06-22-95 | DT: | PART # |
| RE: RICHCO, INC. | RICHCO INC. PO BOX 804238, CHICAGO, 60680 (773) 539-4060 | SEE DWG | PRINT TYPE CA |