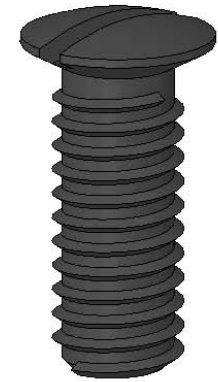


REV.	MODIFICATION.	DATE	DRN
01	NEW DRAWING	18/10/04	NJB
02	ECN2006-063	20/03/06	OW
03	ECN06-227	03/10/06	NJB
04	CO2011042	19/01/11	SF

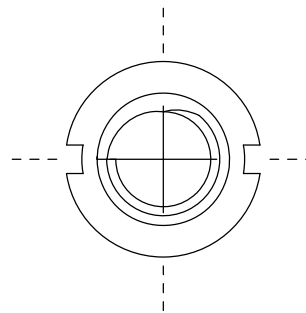
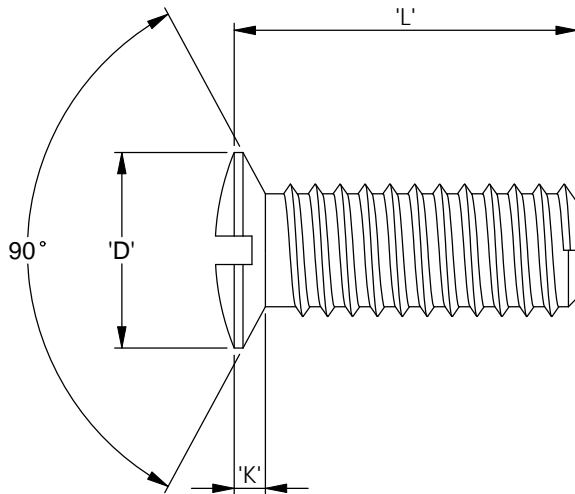
PART REF:	L										D	K
NSE-2010-M3-L	5[.197]	6[.236]	8[.315]	10[.394]	12[.473]	16[.630]	20[.788]	25[.985]			5.5[.216]	1.65[.064]
NSE-2010-M4-L	6[.236]	8[.315]	10[.394]	12[.473]	15[.591]	20[.788]	25[.985]	30[1.182]	-		8.4[.330]	2.7[.106]
NSE-2010-M5-L	10[.394]	12[.473]	15[.591]	18[.709]	20[.788]	25[.985]	30[1.182]	-			9.3[.366]	2.7[.106]
NSE-2010-M6-L	8[.315]	10[.394]	12[.473]	15[.591]	20[.788]	22[.867]	25[.985]	30[1.182]	40[1.575]	50[1.969]	11.3[.444]	3.3[.129]



NOTES:

- 1) ALL PRIMARY DIMENSIONS IN mm,
SECONDARY DIMENSIONS IN INCHES.

ALTERNATE UNITS FOR REFERENCE ONLY



INFORMATION CONTAINED IN THIS DOCUMENT IS CONFIDENTIAL TO RICHCO INTERNATIONAL Co. Ltd. AND MAY NOT BE DISCLOSED OR REPRODUCED IN WHOLE OR PART WITHOUT THEIR WRITTEN CONSENT

RICHCO, INC.
WWW.RICHCO-INC.COM

GENERAL TOLERANCES ±0.25 [0.010]
ARE PRIMARY UNLESS OTHERWISE STATED
1 DECIMAL PLACE ±
2 DECIMAL PLACES ±
ANGULAR ±1°

MATERIAL:
NYLON 6/6 (RMS-179)

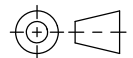
COLOUR:
NATURAL

TITLE:
**METRIC SCREW
(DIN EN ISO 2010)**

PART No:
NSE-2010-MX-L

DRG No:
04-117

NPR REF:



SIZE
A4

DRN
NJB

DATE
18/10/04

CHKD
I.C

DATE
18/10/04

SCALE
NTS

SHEET No
1 OF 1