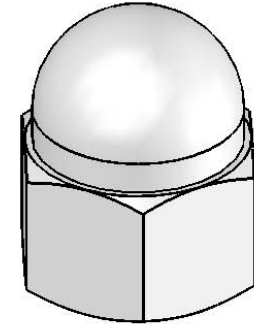
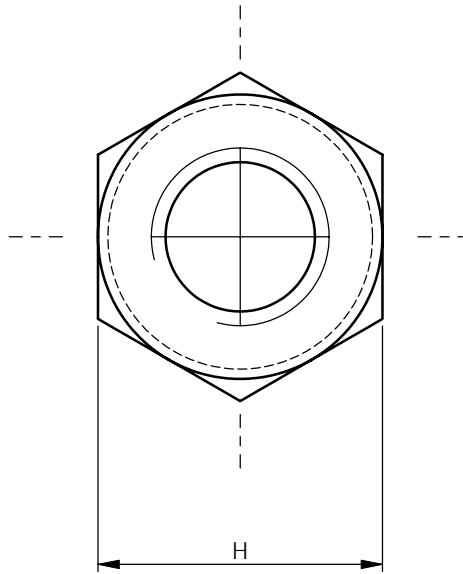
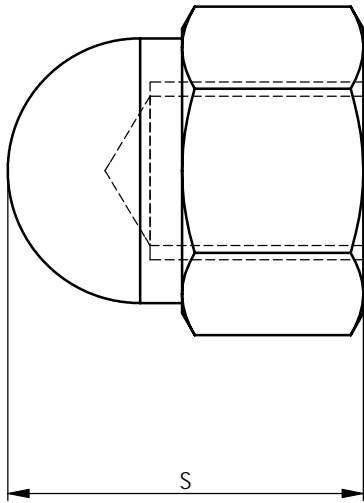


AVAILABLE BY SPECIAL ORDER ONLY

REV.	MODIFICATION.	DATE	DRN
01	NEW DRAWING	19/10/04	NJB
02	ECN 2005-033	03/03/05	NJB
03	ECN 2006-050	17/03/06	OW
04	ECN 2007-056	30/03/07	SF
05	CO2010634	23/04/09	SF
06	CO2010817	15/09/09	OW



ALTERNATE DIMS FOR REFERENCE ONLY

INFORMATION CONTAINED IN THIS DOCUMENT IS CONFIDENTIAL TO RICHCO INTERNATIONAL Co. Ltd. AND MAY NOT BE DISCLOSED OR REPRODUCED IN WHOLE OR PART WITHOUT THEIR WRITTEN CONSENT

**RICHCO, INC.**  
WWW.RICHCO-INC.COM

METRIC GENERAL TOLERANCES  $\pm 0.25$   
ARE PRIMARY UNLESS OTHERWISE STATED  
1 DECIMAL PLACE  $\pm$   
2 DECIMAL PLACES  $\pm$   
ANGULAR  $\pm 1^\circ$

IMPERIAL GENERAL TOLERANCES  $\pm 0.010$   
ARE FOR REFERENCE UNLESS OTHERWISE STATED  
1 DECIMAL PLACE  $\pm$   
2 DECIMAL PLACES  $\pm$   
ANGULAR  $\pm 1^\circ$

MATERIAL:  
NYLON 6/6 (RMS-174)

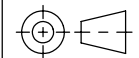
COLOUR:  
NATURAL

TITLE:  
DOMED HEX NUT

PART No:  
NNE-1587-MX

DRG No:  
04-120

NPR REF:



SIZE  
A4

DRN  
NJB

DATE  
19/10/04

CHKD  
I.C

DATE  
19/10/04

SCALE  
NTS

SHEET No  
1 OF 1

PART REF	S	H
NNE-1587-M3	6[.237]	5.5[.217]
NNE-1587-M4	8[.315]	7[.276]
NNE-1587-M5	10[.394]	8[.315]
NNE-1587-M6	12[.473]	10[.394]