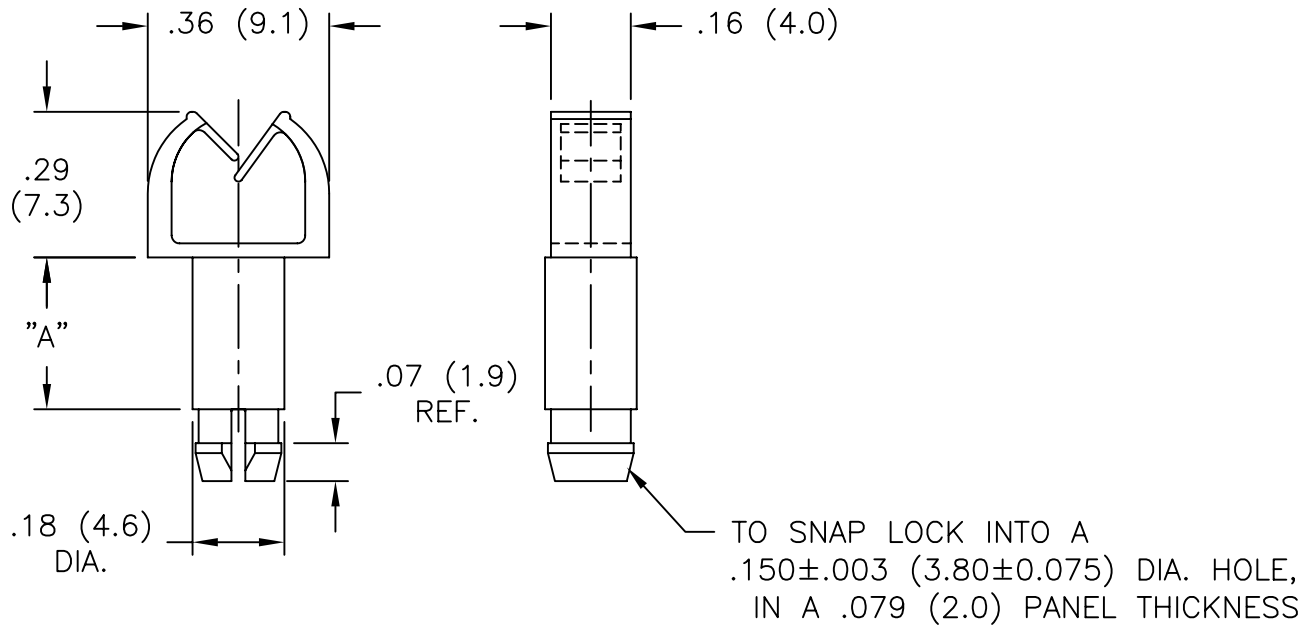


| | | | |
|--|---|-----------|--------------------|
| MAT'L: NYLON 6/6 (RMS-01) COLOR: NATURAL PART NO. | MAT'L: NYLON 6/6 FLAME RET. (RMS-19) COLOR: NATURAL PART NO. | DIM. "A" | PANEL THICKNESS |
| MWSELF-2-4.1-01 | MWSELF-2-4.1-19 | .16 (4.1) | .079 (2.0) |
| MWSELF-2-7.7-01 | MWSELF-2-7.7-19 | .30 (7.7) | |



| | | |
|-----|--------------------------|-------------|
| A | SEE ECN #824 FOR CHANGES | SM 07.14.04 |
| REV | DESCRIPTION | ENGR DATE |

| | | | | | | | |
|---|--|------------------|--|----------------------|--|-----------|------------------|
| TITLE: MICRO WIRE SADDLE-LOCKING FIX | | | | DWG IN IN (MM) FINAL | | | |
| TOLERANCES UNLESS NOTED .XX=±.010 .XXX=±.005 FRAC=±1/64 ANG=±1° | | FILE # MWSELF-2 | DWN: S.M. | APP: | | PART # | |
| | | MAT'L: SEE NOTES | DT: 08/07/02 | DT: | | SEE TABLE | |
| | | RE: RICHCO, INC. | RICHCO INC. PO BOX 804238, CHICAGO, 60680 (773) 539-4060 | | | | PRINT TYPE CA |