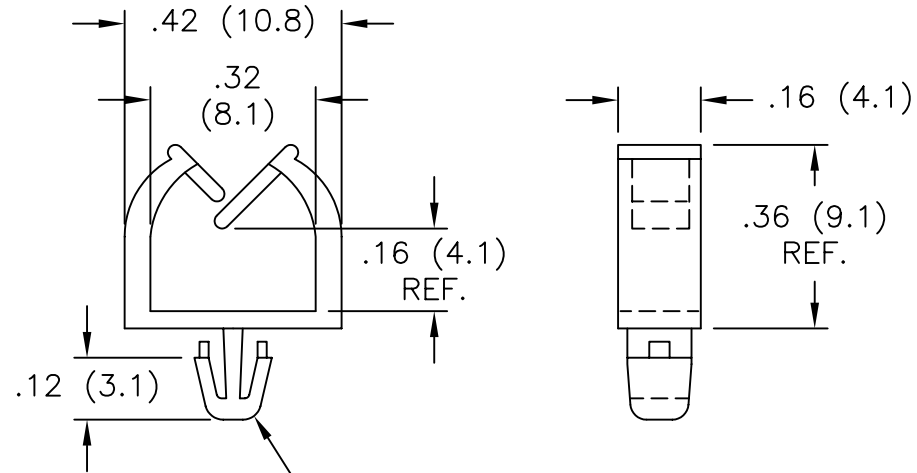

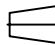



MAT'L: NYLON 6/6 (RMS-01) COLOR: NATURAL PART NO.	MAT'L: FLAME RETARDANT NYLON 6/6 (RMS-19) COLOR: NATURAL PART NO.
MWSEA3-2-01	MWSEA3-2-19



TO SNAP-LOCK IN A $.138 \pm .002$
(3.5 ± 0.05) DIA. HOLE, IN A
.063 (1.6) THICK BOARD

REV		DESCRIPTION		ENGR DATE		TITLE: MICRO WIRE SADDLES			  DWG IN IN (MM)			
TOLERANCES UNLESS NOTED .XX= $\pm .010$.XXX= $\pm .015$ FRAC= $\pm 1/64$ ANG= $\pm 1^\circ$		FILE # MWSEA3		DWN: S.M.		APP:		FINAL				
MAT'L: SEE TABLE		RE: RICHCO, INC.		DT: 12/04/01		DT:		PART #		PRINT TYPE		
PO BOX 804238, CHICAGO, 60680 (773) 539-4060		SEE TABLE		CA								