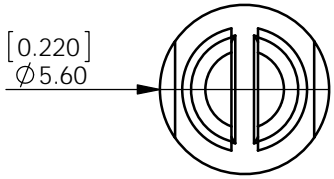
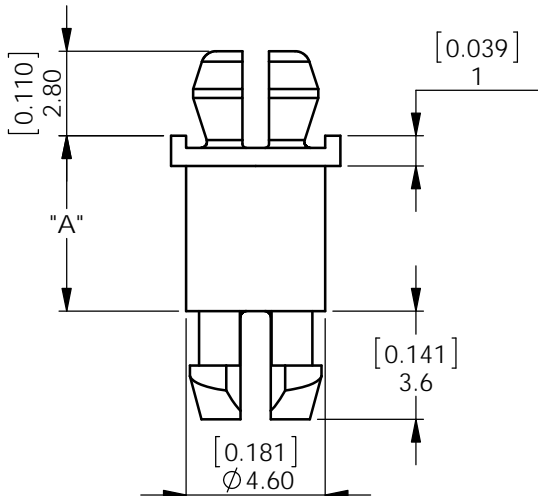


PART NUMBER		"A" ± 0.4 [0.016]
Nylon 6/6 UL 94 V-2 (RMS-01) COLOUR: NATURAL	Nylon 6/6 UL 94 V-0 (RMS-19) COLOUR: NATURAL	
MSPT-3-01	MSPT-3-19	4.8 [0.189]
MSPT-4-01	MSPT-4-19	6.4 [0.252]
MSPT-5-01	MSPT-5-19	7.9 [0.311]
MSPT-6-01	MSPT-6-19	9.5 [0.374]
MSPT-7-01	MSPT-7-19	11.1 [0.437]
MSPT-8-01	MSPT-8-19	12.7 [0.500]
MSPT-10-01	MSPT-10-19	15.9 [0.626]
MSPT-11-01	MSPT-11-19	17.5 [0.688]
MSPT-12-01	MSPT-12-19	19.1 [0.751]
MSPT-14-01	MSPT-14-19	22.2 [0.874]
BLACK AVAILABLE BY SPECIAL ORDER		

REV.	MODIFICATION.	DATE	DRN
03	CO2011101	25/02/11	SF
04	CO2011141	27/04/11	SF



TOP FIX: TO FIT $\phi 3.9 \pm 0.05$ [$\phi 0.154 \pm 0.002$] HOLE IN A
1.2 [0.047] THICK PANEL



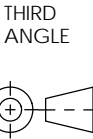
BOTTOM FIX: TO FIT $\phi 3.9 \pm 0.05$ [$\phi 0.154 \pm 0.002$] HOLE IN A
1.62 [0.062] THICK PANEL

ALTERNATE UNITS FOR REFERENCE ONLY

INFORMATION CONTAINED IN THIS DOCUMENT IS CONFIDENTIAL TO RICHCO INTERNATIONAL Co. Ltd. AND MAY NOT BE DISCLOSED OR REPRODUCED IN WHOLE OR PART WITHOUT THEIR WRITTEN CONSENT.

RICHCO, INC.
WWW.RICHCO-INC.COM

ALL DIMENSIONS IN mm
GENERAL TOLERANCES ± 0.25
UNLESS OTHERWISE STATED
1 DECIMAL PLACE \pm
2 DECIMAL PLACES \pm
ANGULAR $\pm 1^\circ$



MATERIAL:
SEE TABLE

COLOUR:
SEE TABLE

DESCRIPTION:
MINITURE SUPPORT POST

PART No:
SEE TABLE

DRG No:
109-0011

NPR No:
N/A

SHEET SIZE A4

DRN
PH

DATE
23/02/11

CHKD
SF

DATE
25/02/11

SCALE
NTS

SHEET No.
1 OF 1