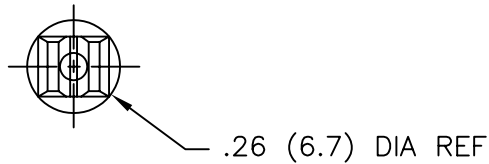


TO FIT IN A $.169 \pm .003$ (4.3 ± 0.08) SQUARE HOLE IN A $.063$ (1.6) THICK PANEL



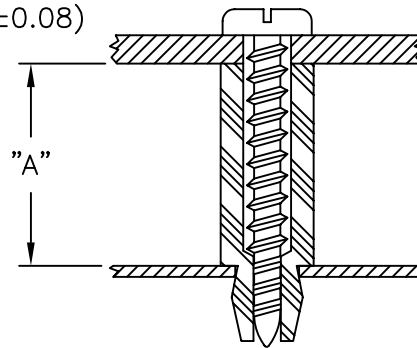
ENGLISH

PART NO.	"A" $\pm .015$ (± 0.4)
MSNE-2-01	1/8 (3.18)
MSNE-3-01	3/16 (4.8)
MSNE-4-01	1/4 (6.35)
MSNE-5-01	5/16 (7.94)
MSNE-6-01	3/8 (9.5)
MSNE-8-01	1/2 (12.7)
MSNE-10-01	5/8 (15.9)
MSNE-12-01	3/4 (19.1)
MSNE-16-01	1 (25.4)

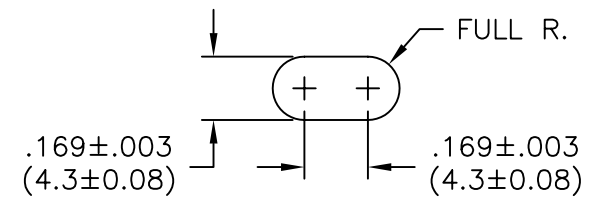
METRIC

PART NO.	"A" ± 0.4
MSNE-4M-01	4.0
MSNE-6M-01	6.0
MSNE-8M-01	8.0
MSNE-10M-01	10.0
MSNE-12M-01	12.0

TYPICAL ASSEMBLY



OPTIONAL MOUNTING HOLE



NOTES:

1. MATERIAL: NYLON 6/6 (RMS-01).
FLAME RETARDANT NYLON (RMS-19),
AVAILABLE BY SPECIAL ORDER ONLY.
2. COLOR: NATURAL.
3. ACCEPTS NO. 4AB SELF TAPPING SCREW.

TITLE: STAND-OFF NUT			DWG IN IN (MM) FINAL				
E	SEE ECN #549 FOR CHANGES	SM 12.20.02	FILE # MSNE	DWN: P.B.	APP:	PART # SEE TABLE	PRINT TYPE CA
D	UPDATED PRINT AND CHANGED FILE NO.	SM 10.08.01	MAT'L: SEE NOTES	DT: 04-06-94	DT:		
C	DIM "A" ON METRIC CHART CORRECTED	J.L. 1.27.99	RE: RICHCO, INC.	RICHCO INC.			
B	METRIC SERIES ADDED	J.L. 7.17.98	PO BOX 804238, CHICAGO, 60680				
A	MSNE-16-01 ADDED	J.L. 2.18.98	(773) 539-4060				
REV	DESCRIPTION	ENGR DATE	TOLERANCES UNLESS NOTED .XX = ±.010 .XXX = ±.005 FRAC = ±1/64 ANG = ±1°				