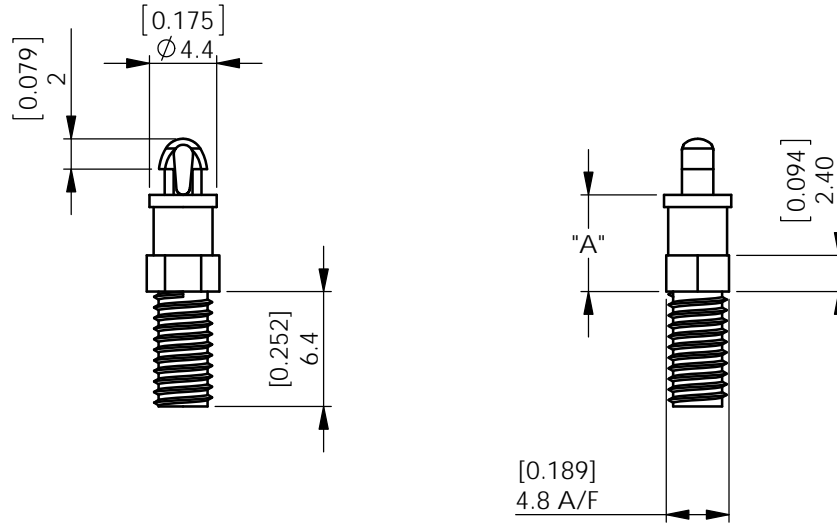


REV.	MODIFICATION.	DATE	DRN
01	CO2011092	24/02/11	SF

TOP HOLE: FIX TO FIT $\phi 2.5 \pm 0.05$ [$\phi 0.098 \pm 0.002$] HOLE IN A 1.6 ± 0.2 [0.063 ± 0.008] THICK PANEL



BOTTOM HOLE: SEE TABLE

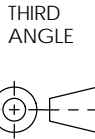
Nylon 6/6 UL 94 V-2 (RMS-01)	Nylon 6/6 UL 94 V-0 (RMS-19)	Nylon 6/6 UL 94 V-2 (RMS-01)	Nylon 6/6 UL 94 V-0 (RMS-19)	"A" ± 0.4 [0.016]
MSCBST- M3 THREAD		MSCBST-M4 THREAD		
MSCBST-M3-2-01	MSCBST-M3-2-19	MSCBST-M4-2-01	MSCBST-M4-2-19	3.2 [0.126]
MSCBST-M3-3-01	MSCBST-M3-3-19	MSCBST-M4-3-01	MSCBST-M4-3-19	4.8 [0.189]
MSCBST-M3-4-01	MSCBST-M3-4-19	MSCBST-M4-4-01	MSCBST-M4-4-19	6.4 [0.252]
MSCBST-M3-5-01	MSCBST-M3-5-19	MSCBST-M4-5-01	MSCBST-M4-5-19	7.9 [0.311]
MSCBST-M3-6-01	MSCBST-M3-6-19	MSCBST-M4-6-01	MSCBST-M4-6-19	9.5 [0.374]
MSCBST-M3-7-01	MSCBST-M3-7-19	MSCBST-M4-7-01	MSCBST-M4-7-19	11.1 [0.437]
MSCBST-M3-8-01	MSCBST-M3-8-19	MSCBST-M4-8-01	MSCBST-M4-8-19	12.7 [0.500]
MSCBST-M3-9-01	MSCBST-M3-9-19	MSCBST-M4-9-01	MSCBST-M4-9-19	14.3 [0.563]
MSCBST-M3-10-01	MSCBST-M3-10-19	MSCBST-M4-10-01	MSCBST-M4-10-19	15.9 [0.626]

ALTERNATE UNITS FOR REFERENCE ONLY

INFORMATION CONTAINED IN THIS DOCUMENT IS CONFIDENTIAL TO RICHCO INTERNATIONAL Co. Ltd. AND MAY NOT BE DISCLOSED OR REPRODUCED IN WHOLE OR PART WITHOUT THEIR WRITTEN CONSENT.

RICHCO, INC.
WWW.RICHCO-INC.COM

ALL DIMENSIONS IN mm
GENERAL TOLERANCES ± 0.25
UNLESS OTHERWISE STATED
1 DECIMAL PLACE \pm
2 DECIMAL PLACES \pm
ANGULAR $\pm 1^\circ$



MATERIAL:
SEE TABLE

COLOUR:
NATURAL

DESCRIPTION:
MINIATURE TEARDROP CIRCUIT BOARD SUPPORT

PART No:
See Table

DRG No:
011-039

NPR No:
N/A

SHEET SIZE A4

DRN
PH

DATE
23/02/11

CHKD
SF/JK

DATE
24/02/11

SCALE
NTS

SHEET No.
1 OF 1