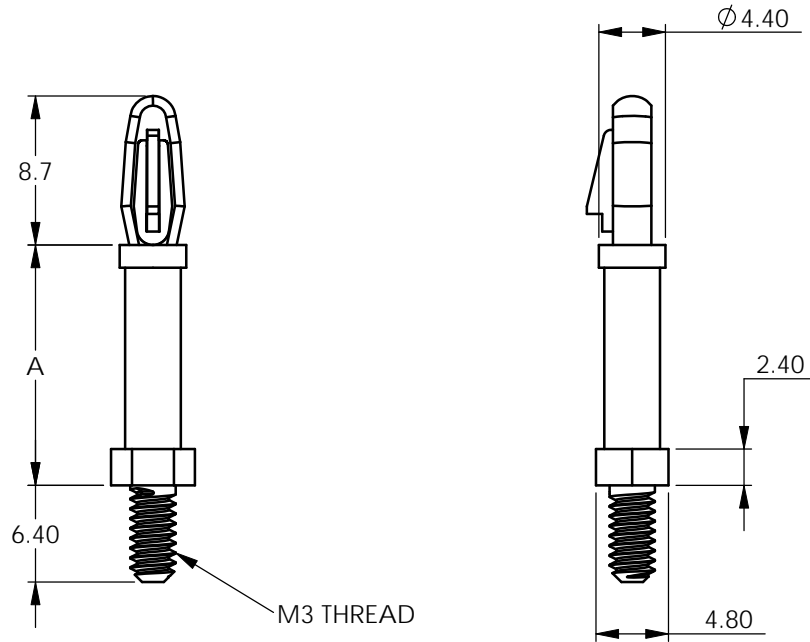


REV.	MODIFICATION.	DATE	DRN
01	CO2010997	01/10/10	SF



PART NUMBER		A
MATERIAL		
NYLON 6/6 UL94 V2(RMS-01)	NYLON 6/6 UL94 V0(RMS-19)	
MSCBSM-M3-2-01	MSCBSM-M3-2-19	3.2
MSCBSM-M3-3-01	MSCBSM-M3-3-19	4.8
MSCBSM-M3-4-01	MSCBSM-M3-4-19	6.4
MSCBSM-M3-5-01	MSCBSM-M3-5-19	7.9
MSCBSM-M3-6-01	MSCBSM-M3-6-19	9.5
MSCBSM-M3-7-01	MSCBSM-M3-7-19	11.1
MSCBSM-M3-8-01	MSCBSM-M3-8-19	12.7
MSCBSM-M3-9-01	MSCBSM-M3-9-19	14.3
MSCBSM-M3-10-01	MSCBSM-M3-10-19	15.9
MSCBSM-M3-12-01	MSCBSM-M3-12-19	19.1
MSCBSM-M3-16-01	MSCBSM-M3-16-19	25.4

ALTERNATE UNITS FOR REFERENCE ONLY

INFORMATION CONTAINED IN THIS DOCUMENT IS CONFIDENTIAL TO RICHCO INTERNATIONAL Co. Ltd. AND MAY NOT BE DISCLOSED OR REPRODUCED IN WHOLE OR PART WITHOUT THEIR WRITTEN CONSENT.

RICHCO, INC.
WWW.RICHCO-INC.COM

ALL DIMENSIONS IN mm
GENERAL TOLERANCES ± 0.25
UNLESS OTHERWISE STATED
1 DECIMAL PLACE \pm
2 DECIMAL PLACES \pm
ANGULAR $\pm 1^\circ$



MATERIAL:
See table

COLOUR:
NATURAL

DESCRIPTION:
MINIATURE STUDDED CIRCUITBOARD SUPPORT

PART No:
See Table

DRG No:
126-0011

NPR No:
XXXX-XXX

SHEET SIZE A4

DRN
SF

DATE
01/10/10

CHKD
TC

DATE
01/10/10

SCALE
NTS

SHEET No.
1 OF 1