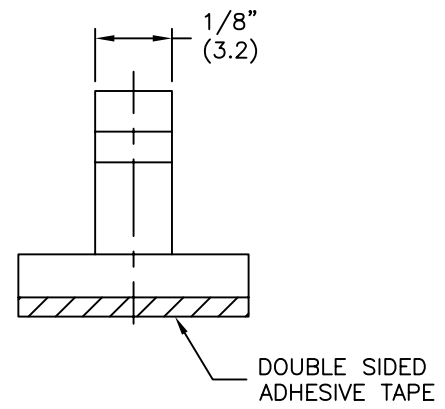
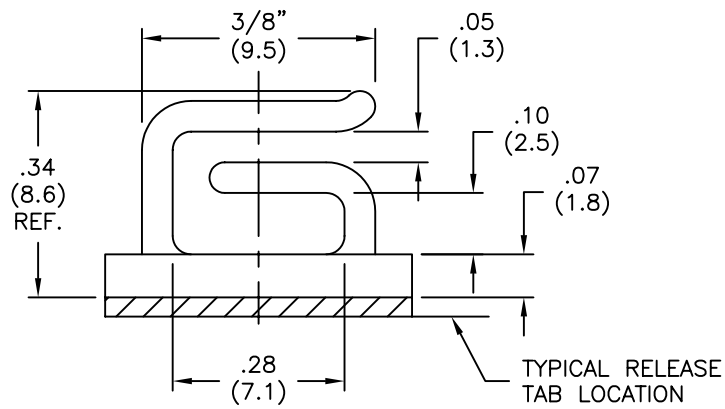
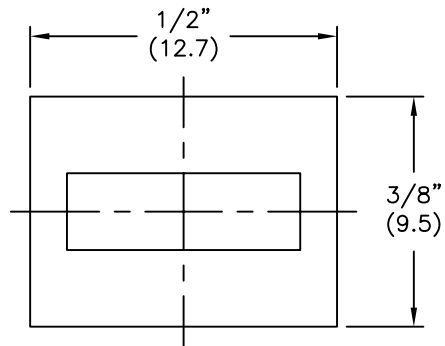


PART NO. NYLON	PART NO. FLAME RETARDANT NYLON
MOFNSB-2-01A-RT	MOFNSB-2-19A-RT



NOTES:

- MATERIAL: NYLON 66 (RMS-01)
FLAME RETARDANT NYLON (RMS-19)
COLOR: NATURAL
- TAPE: 1/32" (0.8) THICK DOUBLE SIDED
ADHESIVE (RMS-15)

TITLE: MINI OPTICAL FIBER NETWORK SADDLE ON BASE			DWG IN IN (MM)		FINAL			
TOLERANCES UNLESS NOTED .XX=±.010 .XXX=±.005 FRAC=±1/64 ANG=±1°		FILE # MOFNSB-2	DWN: S.M.	APP:	PART #		PRINT TYPE	
RE: RICHCO, INC.		MAT'L: SEE NOTES	DT: 01/19/01	DT:	SEE CHART		CA	
PO BOX 804238, CHICAGO, 60680		(773) 539-4060						
REV	DESCRIPTION	ENGR	DATE					