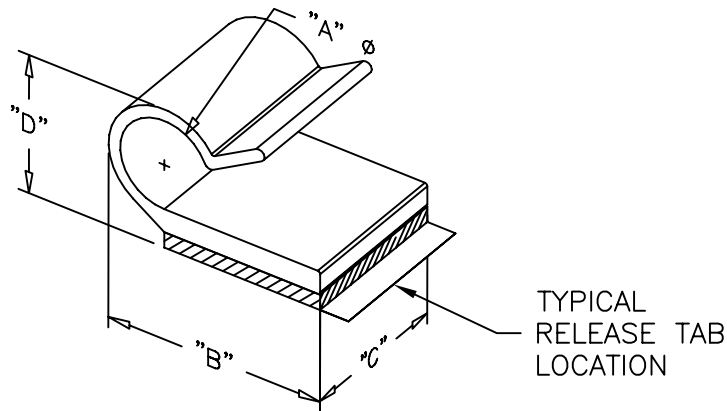



PART NO.	HOLDING DIAMETER "A"	"B"	"C" ±.02 (0.5)	"D" AT MAX CAPACITY REF.
MKKJ-2-RT	1/8 (3.2)	7/16 (11.1)	3/8 (9.5)	15/64 (6.0)
MKKJ-3-RT	3/16 (4.8)	5/8 (15.9)	7/16 (11.1)	21/64 (8.3)
MKKJ-4-RT	1/4 (6.4)	21/32 (16.7)	1/2 (12.7)	13/32 (10.3)
MKKJ-5-RT	5/16 (7.9)	13/16 (20.6)	9/16 (14.3)	31/64 (12.3)
MKKJ-6-RT	3/8 (9.5)	7/8 (22.2)	5/8 (15.9)	9/16 (14.3)



NOTES:

1. MAT'L: RIGID PVC (RMS-32)
2. COLOR: CLEAR
3. TAPE: 1/32" THICK DOUBLE SIDED ADHESIVE (RMS-15), WHITE LINER.
4. CUSTOM LENGTHS AVAILABLE BY SPECIAL ORDER.

TITLE: MICRO KWIK-KLIP ,TYPE "J"		DWG IN IN(MM)		FINAL				
E	ADDED NOTE 4	SJ 03.18.02	TOLERANCES UNLESS NOTED	FILE # MKKJ	DWN: S.M.	APP:	PART # SEE TABLE	PRINT TYPE CA
D	COMPLETELY RE-DRAWN & CHANGED FILE #	S.M.12.19.00	.XX=.020	MAT'L: SEE NOTES	DT: 12/19/00	DT:		
C	COMPLETELY REVISED PRINT	JK 12.10.99	.XXX=.015	RE: RICHCO, INC.	RICHCO INC.			
B	MAT'L WAS RMS-32	MO 11.3.98	FRAC=1/64	PO BOX 804238, CHICAGO, 60680		(773) 539-4060		
A	ADDED ISO TO DWG	JB 12.11.95	ANG=1°					
REV	DESCRIPTION	ENGR DATE						