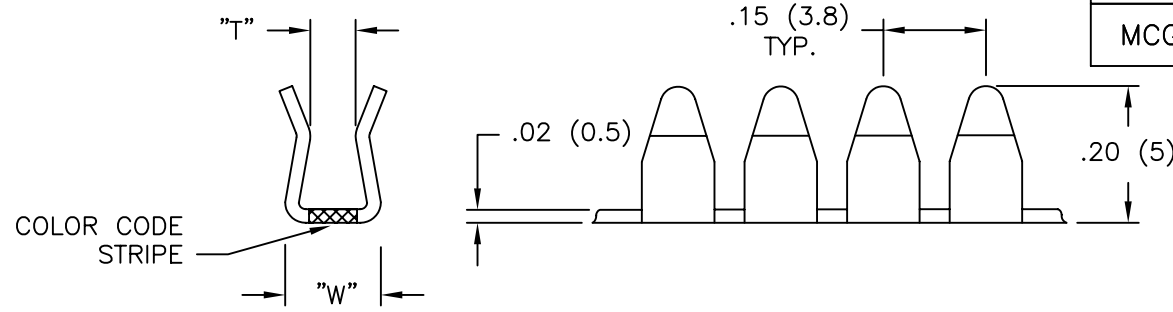


PART NO.	COLOR CODE STRIPE	WIDTH "W"	"T" APPLICATION THICKNESS RANGE
MCGF-1N	WHITE	.13 (3.3)	.029-.045 (0.7-1.1)
MCGF-2N	PINK		.044-.056 (1.1-1.4)
MCGF-3N	YELLOW		.055-.069 (1.4-1.7)



NOTES:

1. MATERIAL: 304 STAINLESS STEEL (RMS-283).
2. COATING: NYLON 11 (RMS-192), COLOR: BLACK.
TABER ABRASION RESISTANCE: PER nft 30-015
5 TO 8 mg LOSS AFTER 1000 CYCLES.
3. DIELECTRIC STRENGTH: 100 VOLTS @ 60 HZ.
4. OPERATING TEMPERATURE RANGE: -40°F TO 285°F (-40°C TO 140°C).
5. SALT SPRAY TESTING: 2000 HOURS, ASTM B117. MIL-STD-202, METHOD 301.
6. FLAMMABILITY: UL 94 V-0 YELLOW CARD NO. E113553 NZMT2.
7. RANDOM SHOCK AND VIBRATION: MIL-STD-1344, METHOD 2005.1, TEST CONDITION VI, LETTER "J".
DURATION 8 HOURS LONGITUDINAL AND 8 HOURS PERPENDICULAR. rms G 41.7.
8. HAND HELD CUTTING TOOL NEEDED, ORDER P/N : MCGS-1
9. FITS ANY FOUR AXIS CONTOUR.
10. COLOR CODE STRIPE: PRINTING INK (RMS-346).
11. PACKAGING: 100 FT (30.5M) REEL

TITLE: METAL CONTINUOUS GROMMET, FLEXIBLE		DWG IN IN (MM)		FINAL		PRINT TYPE	
TOLERANCES UNLESS NOTED .XX=±.010 .XXX=±.005 FRAC=±1/64 ANG=±1°		FILE # MCGF	DWN: S.M.	APP:	PART #		MCGF SERIES CA
RE: RICHCO, INC.		MAT'L: SEE NOTES	DT: 08.01.02	DT:	MCGF SERIES		
		RICHCO INC. PO BOX 804238, CHICAGO, 60680 (773) 539-4060					

REV	DESCRIPTION	ENGR	DATE
D	SEE ECN #1284 FOR CHANGES	SK	02.08.07
C	SEE ECN #1283 FOR CHANGES	SK	02.05.07
B	SEE ECN #487 FOR CHANGES	SM	10.15.02
A	CORRECTED DRAWING TITLE	SM	08.13.02