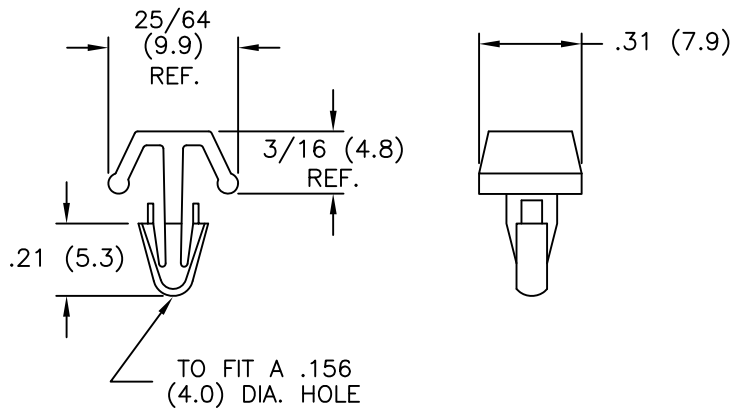
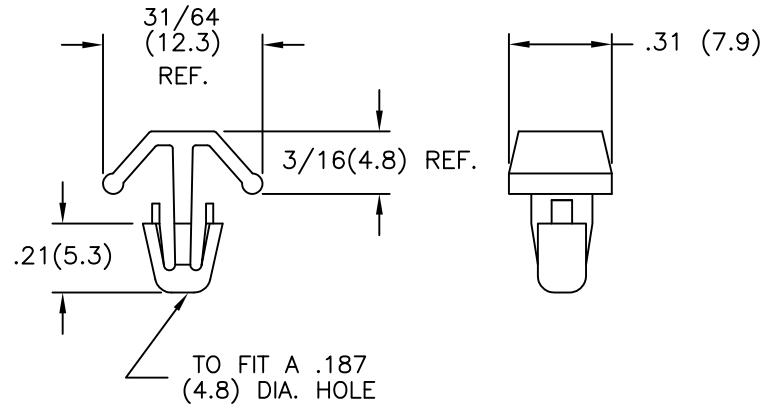


| PART NUMBER |           | "T"<br>RECOMMENDED      |
|-------------|-----------|-------------------------|
| MB-1-156    | MB-1-187  | 1/32-3/32 (0.8-2.4)     |
| MB-3-156    | MB-3-187  | 3/32-5/32 (2.4-4.0)     |
| MB-5-156    | MB-5-187  | 5/32-7/32 (4.0-5.6)     |
| MB-7-156    | MB-7-187  | 7/32-9/32 (5.6-7.1)     |
| MB-9-156    | MB-9-187  | 9/32-11/32 (7.1-8.7)    |
| MB-11-156   | MB-11-187 | 11/32-13/32 (8.7-10.3)  |
| MB-13-156   | MB-13-187 | 13/32-15/32 (10.3-11.9) |
| MB-15-156   | MB-15-187 | 15/32-17/32 (11.9-13.5) |
| MB-17-156   | MB-17-187 | 17/32-19/32 (13.5-15.1) |



P/N MB-156



P/N MB-187

NOTES:

1. MATERIAL: NYLON 6/6 (RMS-01).  
FLAME RETARDANT, NYLON (RMS-19),  
AVAILABLE BY SPECIAL ORDER ONLY.
2. COLOR: NATURAL.

| TITLE: MOUNTING BUTTON |                                  |             | DWG IN IN (MM)                |              | FINAL          |        | PRINT TYPE |    |  |
|------------------------|----------------------------------|-------------|-------------------------------|--------------|----------------|--------|------------|----|--|
| E                      | SEE CO 200191 FOR CHANGES        | SK 05.23.08 | FILE # MB                     | DWN: R.S.    | APP:           | PART # | SEE TABLE  | CA |  |
| D                      | SEE CO 200154 FOR CHANGES        | SK 04.07.08 | MAT'L: SEE NOTES              | DT: 11-10-93 | DT:            |        |            |    |  |
| C                      | CHANGED FILE NO. AND TITLE BLOCK | SM 05.17.01 | RE: RICHCO, INC.              | RICHCO INC.  |                |        |            |    |  |
| B                      | MAT'L RMS-19 ADDED.              | J.L. 7.9.98 | PO BOX 804238, CHICAGO, 60680 |              | (773) 539-4060 |        |            |    |  |
| A                      | CHANGED CHART TO PANEL RANGE     | JB 08.15.96 | TOLERANCES UNLESS NOTED       |              | .XX=±.010      |        |            |    |  |
| REV                    | DESCRIPTION                      | ENGR DATE   | .XXX=±.005                    |              | FRAC=±1/64     |        |            |    |  |
|                        |                                  |             | ANG=±1'                       |              |                |        |            |    |  |