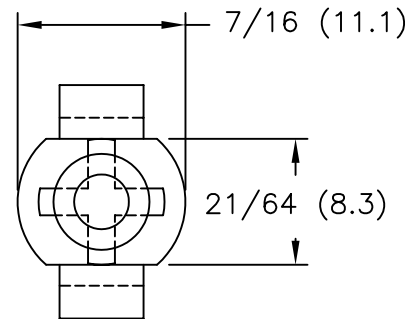
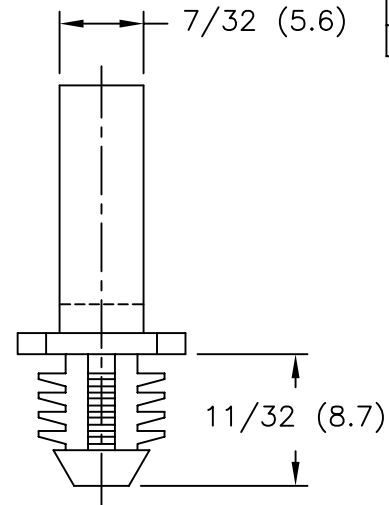
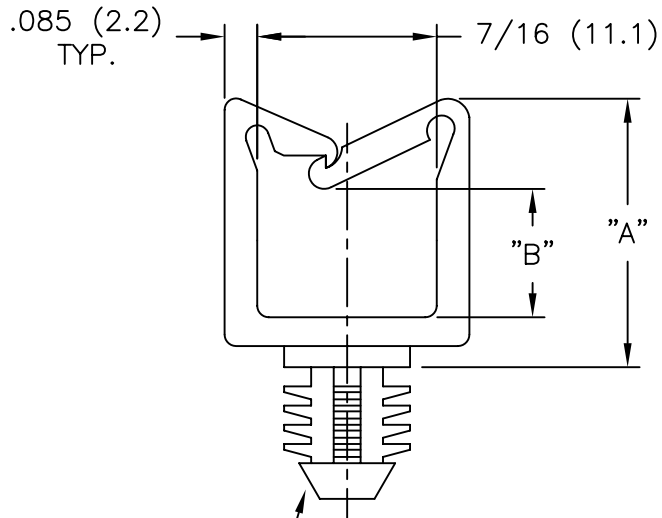


PART NO.	"A" REF.	"B" REF.
LWSBH-1-01	.51 (13.0)	.14 (3.6)
LWSBH-2-01	.72 (18.3)	.34 (8.6)
LWSBH-3-01	1.07 (27.2)	.70 (17.8)
LWSBH-4-01	1.40 (35.6)	1.02 (25.9)



TO PRESS-FIT IN A
.312 (7.9) DIA. HOLE,
IN A .25 (6.4)
MINIMUM THICK PANEL

NOTES:

- MATERIAL: NYLON 6/6 (RMS-01).
FLAME RETARDANT, NYLON (RMS-19),
AVAILABLE BY SPECIAL ORDER.
- COLOR: NATURAL.

TITLE: LOCKING WIRE SADDLE, BLIND HOLE				DWG IN IN (MM)	FINAL	PRINT TYPE
TOLERANCES UNLESS NOTED .XX=±.010 .XXX=±.005 FRAC=±1/64 ANG=±1°	FILE # LWSBH	DWN: P.B.	APP:	PART #		CA
	MAT'L: SEE NOTES	DT: 07-11-94	DT:	SEE TABLE		
	RE: RICHCO, INC.	RICHCO INC. PO BOX 804238, CHICAGO, 60680 (773) 539-4060				

REV	DESCRIPTION	ENGR DATE
B	CHANGED FILE NUMBER	SM 05.30.01
A	MAT'L RMS-19 ADDED	J.L. 12.29.97