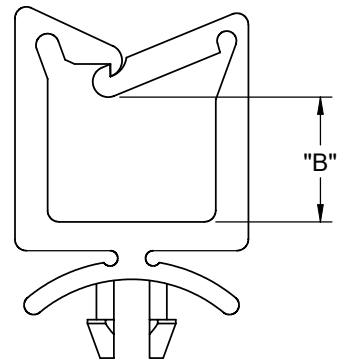
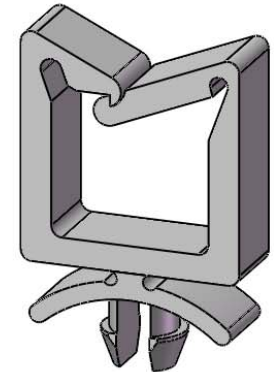


TO SNAP-LOCK IN A $.187 \pm .003$
 $[4.75 \pm 0.08]$ DIA. HOLE, IN A
 $1/16 [1.6]$ NOMINAL THICK PANEL/BOARD

AS MOLDED POSITION



LOCKED POSITION



PART NO.		DIM. "A" REF	DIM. "B" REF
NYLON 6/6 UL 94 V-2 (RMS-01)	NYLON 6/6 UL 94 V-0 (RMS-19)		
LWS-1-01	LWS-1-19	.52 [13.2]	.14 [3.6]
LWS-2-01	LWS-2-19	.71 [18]	.33 [8.4]
LWS-3-01	LWS-3-19	1.07 [27.2]	.69 [17.5]
LWS-4-01	LWS-4-19	1.38 [35]	1.00 [25.4]

- NOTES:
 1. COLOR: NATURAL.
 2. ALTERNATE UNITS FOR REFERENCE ONLY.

C			REDRAWN, SEE ECN #1333 FOR CHANGES	SK	06/13/07	TITLE: LOCKING WIRE SADDLE						DWG IN IN [MM]	
-			SEE ENGINEERING FOR REV A-B	-	-	CREATED USING SOLIDWORKS	FILE #: LWS	DWN: SK	APP: RT	FINAL			
REV.			DESCRIPTION	ENGR.	DATE	TOLERANCES UNLESS NOTED	SHEET: 1 OF 1	SHEET SIZE: A	DT: 06/13/07	CHKD: RG	PART #	PRINT TYPE	
						.XX=±.010 .XXX=±.005 FRAC.=±1/64 ANG.=±1°	RE: RICHCO, INC.	RICHCO, INC. ENG@RICHCO-INC.COM (773) 539-4060		SEE TABLE		EA	