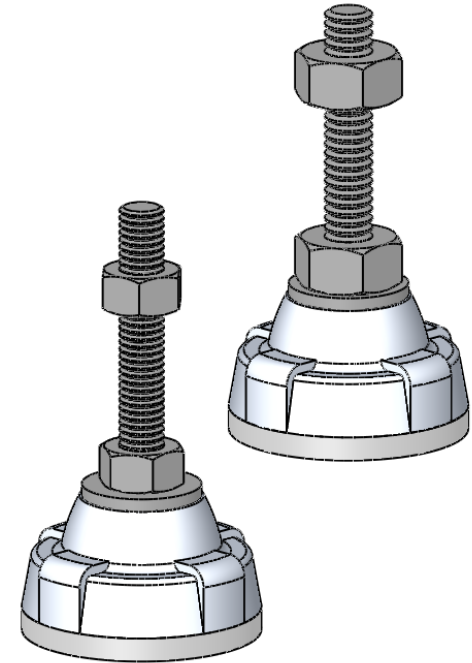
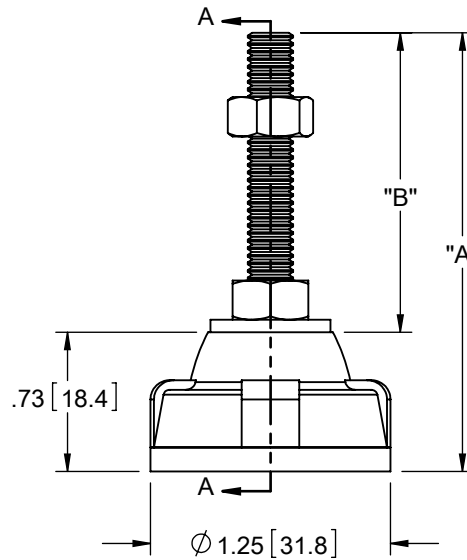
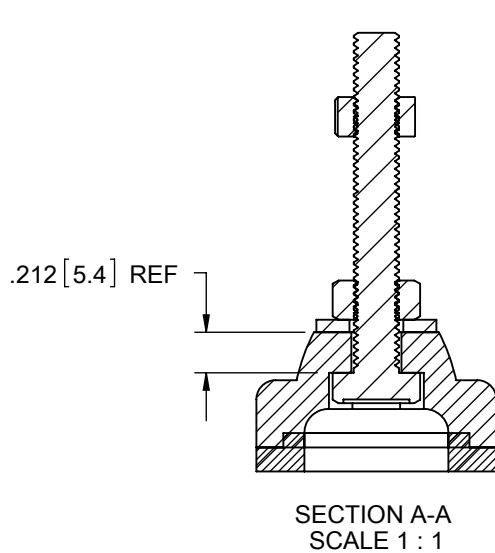
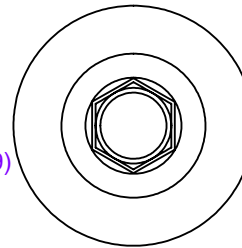


PART NO.	"A" REF	"B" REF	PART INCLUDES
LLF-1	2.28 [58]	1.56 [39.6]	M6X45 HEX BOLT, TWO M6 NUTS AND ONE 1/2 X .04-.05 WASHER
LLF-2	2.26 [57.5]	1.54 [39.1]	1/4-20 X 1-3/4 HEX BOLT, TWO 1/4-20 HEX NUTS, AND ONE 5/8 X .04-.05 WASHER
LLF-3	N/A	N/A	FOOT ONLY (NO HARDWARE INCLUDED)



NOTES:

1. MATERIAL: TPE (RMS-262) AND POLYPROPYLENE (RMS-08) CO-MOLDED
2. COLOR: BLACK
3. HARDWARE MATERIAL: M6 HEX BOLT-A2 STAINLESS STEEL (RMS-370)
1/4-20 HEX BOLT - 18-8 STAINLESS STEEL (RMS-369)
M6 HEX NUT - A2 STAINLESS STEEL (RMS-370)
1/4-20 HEX NUT - 18-8 STAINLESS STEEL (RMS-369)
WASHER - 18-8 STAINLESS STEEL (RMS-369).
4. MAXIMUM LOAD: 56 LBS [25 kg]



TITLE: LEG LEVELING FOOT			DWG IN IN [MM]		FINAL			
E	SEE CO 200073 FOR CHANGES	SK 11/28/07	FILE #: LLF	DWN: SK	APP: SK	PART #	PRINT TYPE	
D	SEE CO 200071 FOR CHANGES	SK 11/27/07	SHEET: 1 OF 1	DT: 01/09/07	CHKD: RT			
C	SEE CO 200057	SK 11/08/07	RE: RICHCO, INC.		RICHCO, INC.		SEE TABLE	CA
B	SEE CO 200056	SJ 10/29/07	RE: RICHCO, INC.		ENG@RICHCO-INC.COM			
A	RELEASED FOR PRODUCTION	SK 07/13/07	RE: RICHCO, INC.		(773) 539-4060			
REV.	DESCRIPTION	ENGR. DATE	TOLERANCES UNLESS NOTED .XX=±.010 .XXX=±.005 FRAC.=±1/64 ANG.=±1°					