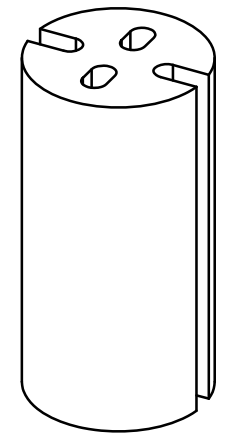
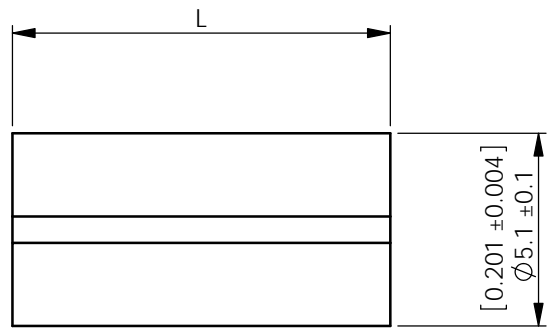
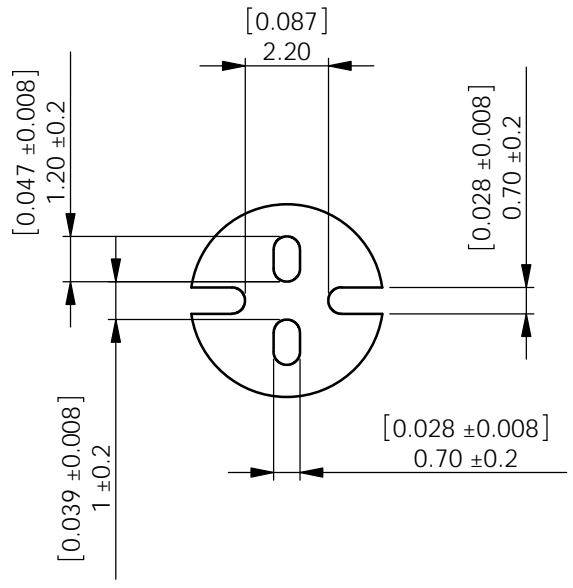


| REV. | MODIFICATION. | DATE     | DRN |
|------|---------------|----------|-----|
| 01   | NEW DWG       | 25/05/01 | JPM |
| 02   | SCN04-093     | 23/09/04 | OW  |
| 03   | SCN04-096     | 01/10/04 | OW  |
| 04   | SCN04-100     | 14/10/04 | OW  |
| 05   | ECN05-021     | 26/01/05 | OW  |
| 06   | ECR05-096     | 31/08/05 | OW  |
| 07   | CO2010663     | 01/06/09 | TC  |
| 08   | CO2011025     | 26/11/10 | LPB |
| 09   | CO2011241     | 06/02/12 | SF  |



INFORMATION CONTAINED IN THIS DOCUMENT IS CONFIDENTIAL TO RICHCO INTERNATIONAL Co. Ltd. AND MAY NOT BE DISCLOSED OR REPRODUCED IN WHOLE OR PART WITHOUT THEIR WRITTEN CONSENT

**RICHCO, INC.**  
WWW.RICHCO-INC.COM

ALL DIMENSIONS IN mm  
GENERAL TOLERANCES ±0.25  
UNLESS OTHERWISE STATED  
1 DECIMAL PLACE ±0.25  
2 DECIMAL PLACES ±0.10  
ANGULAR ±1°

- NOTES:  
1) FOR USE WITH 5mm , T-1 3/4 LED  
2) PART AVAILABLE IN 1 MILLIMETRE INCREMENTS FROM 2 TO 30  
3) ALTERNATE DIMENSIONS FOR REFERENCE ONLY

|           |               |          |           |
|-----------|---------------|----------|-----------|
| MATERIAL: | PVC (RMS-388) | COLOUR:  | BLACK     |
| TITLE:    | LED MOUNTS    | PART No: | LEDM-1-XX |

| PART No.              | LENGTH                   |
|-----------------------|--------------------------|
| LEDM-1-02 - LEDM-1-30 | 2.0 [0.078] - 30 [1.181] |

|         |          |          |          |  |      |     |      |          |       |     |          |
|---------|----------|----------|----------|--|------|-----|------|----------|-------|-----|----------|
| DRG No: | 786-9022 | NPR REF: | N/A      |  | SIZE | A4  |      |          |       |     |          |
| DRN     | OW       | DATE     | 14/10/04 |  | CHKD | NJB | DATE | 14/10/04 | SCALE | NTS | SHEET No |