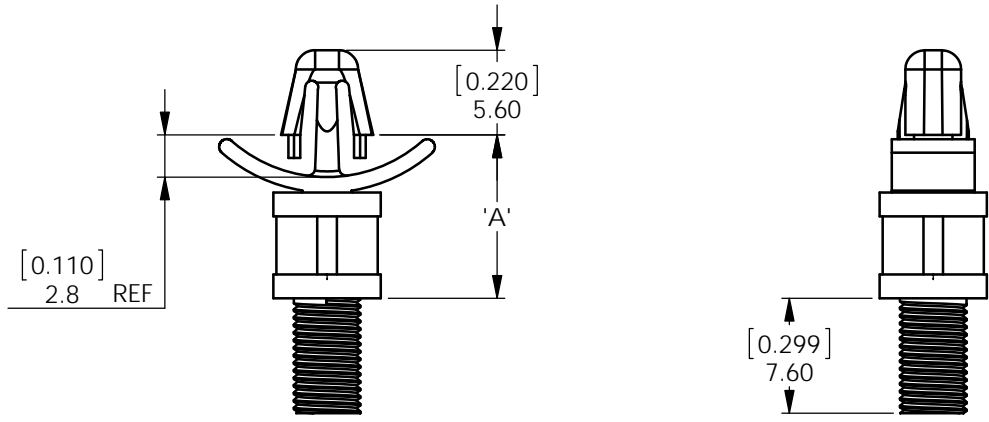


TOP HOLE: TO SNAP LOCK INTO A $4.75 \pm .08 [1.87 \pm .003]$ ϕ HOLE IN A 1.57 [.062] NOMINAL THICK PANEL



BOTTOM HOLE: SEE TABLE

REV.	MODIFICATION.	DATE	DRN
01	CO2011099	25/02/11	SF
02	CO2011253	12/04/12	SF
03	CO2011265	31/05/12	NB

ALTERNATE UNITS FOR REFERENCE ONLY

INFORMATION CONTAINED IN THIS DOCUMENT IS CONFIDENTIAL TO RICHCO INTERNATIONAL Co. Ltd. AND MAY NOT BE DISCLOSED OR REPRODUCED IN WHOLE OR PART WITHOUT THEIR WRITTEN CONSENT.

RICHCO, INC.
WWW.RICHCO-INC.COM

ALL DIMENSIONS IN mm[inches]
GENERAL TOLERANCES ± 0.25
UNLESS OTHERWISE STATED
1 DECIMAL PLACE \pm
2 DECIMAL PLACES \pm
ANGULAR $\pm 1^\circ$



THREAD #6-32		M4		"A" ± 0.4 [.015]
Nylon 6/6 UL 94 V-2 (RMS-01)	Nylon 6/6 UL 94 V-0 (RMS-19)	Nylon 6/6 UL 94 V-2 (RMS-01)	Nylon 6/6 UL 94 V-0 (RMS-19)	
COLOUR:NATURAL	COLOUR:NATURAL	COLOUR:NATURAL	COLOUR:NATURAL	
LCCBS-TM-6-01	LCCBS-TM-6-19	LCCBSM-M4-6-01	LCCBSM-M4-6-19	10.7 [.422]
LCCBS-TM-8-01	LCCBS-TM-8-19	LCCBSM-M4-8-01	LCCBSM-M4-8-19	13.9 [.547]
LCCBS-TM-10-01	LCCBS-TM-10-19	LCCBSM-M4-10-01	LCCBSM-M4-10-19	17.1 [.672]
LCCBS-TM-12-01	LCCBS-TM-12-19	LCCBSM-M4-12-01	LCCBSM-M4-12-19	20.2 [.797]
LCCBS-TM-14-01	LCCBS-TM-14-19	LCCBSM-M4-14-01	LCCBSM-M4-14-19	23.4 [.922]
LCCBS-TM-16-01	LCCBS-TM-16-19	LCCBSM-M4-16-01	LCCBSM-M4-16-19	26.6 [1.047]
OTHER COLOURS AVAILABLE BY SPECIAL ORDER				

MATERIAL: SEE TABLE		COLOUR: SEE TABLE	
DESCRIPTION: LOCKING CIRCUIT BOARD STACKING SPACER		PART No: SEE TABLE	
DRG No: 133-1301	NPR No: XXXX-XXX	SHEET SIZE A4	
DRN SF	DATE 24/02/11	CHKD JK	DATE 24/02/11
SCALE NTS	SHEET No. 1 OF 1		