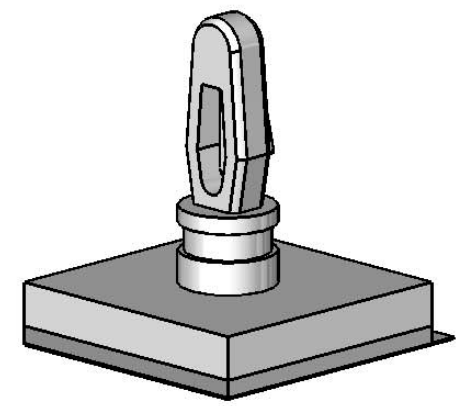
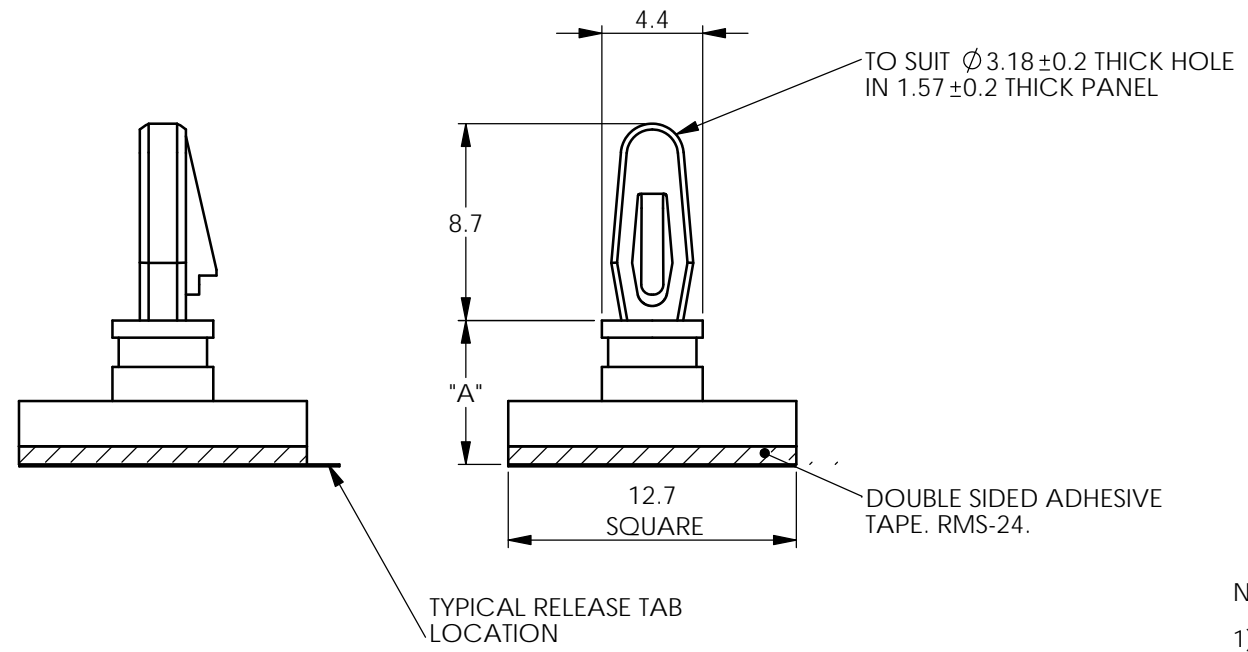


REV.	MODIFICATION.	DATE	DRN
01	ECN2008-007	10/01/08	SF
02	CO2010267	07/07/08	SF
03	CO2010618	02/04/09	SF
04	CO2010629	17/04/09	SF
05	CO2010945	22/06/10	SF
06	CO2011021	16/11/10	SF
07	CO2011253	12/04/12	SF



NOTE:

1) THE COLOUR OF THE ADHESIVE LINER MAY VARY. THIS THIS WILL NOT AFFECT THE TECHNICAL PROPERTIES OF THE PART.

PART NUMBER	"A" DIM	MATERIAL	
LCBSBM-3-01A2	4.8	NYLON 6/6 UL94-V2 (RMS-01)	
LCBSBM-4-01A2	6.4		
LCBSBM-5-01A2	7.9		
LCBSBM-6-01A2	9.5		
LCBSBM-7-01A2	11.1		
LCBSBM-8-01A2	12.7		
LCBSBM-9-01A2	14.3		
LCBSBM-10-01A2	15.9		
LCBSBM-3-19A2	4.8		NYLON 6/6 UL94-V0 (RMS-19)
LCBSBM-4-19A2	6.4		
LCBSBM-5-19A2	7.9		
LCBSBM-6-19A2	9.5		
LCBSBM-7-19A2	11.1		
LCBSBM-8-19A2	12.7		
LCBSBM-9-19A2	14.3		
LCBSBM-10-19A2	15.9		

INFORMATION CONTAINED IN THIS DOCUMENT IS CONFIDENTIAL TO RICHCO INTERNATIONAL Co. Ltd. AND MAY NOT BE DISCLOSED OR REPRODUCED IN WHOLE OR PART WITHOUT THEIR WRITTEN CONSENT.

**RICHCO, INC.**  
WWW.RICHCO-INC.COM

ALL DIMENSIONS IN mm  
GENERAL TOLERANCES  $\pm 0.25$   
UNLESS OTHERWISE STATED  
1 DECIMAL PLACE  $\pm 0.25$   
2 DECIMAL PLACES  $\pm 0.10$   
ANGULAR  $\pm 1^\circ$

THIRD ANGLE

MATERIAL: SEE TABLE COLOUR: NATURAL

DESCRIPTION: LOCKING CIRCUIT BOARD SUPPORT ON BASE MINITURE PART No: SEE TABLE

DRG No: 132-5002 NPR No: N/A Mass:(g) 0.8 SHEET SIZE A4

DRN SF DATE 11/01/08 CHKD TC DATE 11/01/08 SCALE NTS SHEET No. 1 OF 1