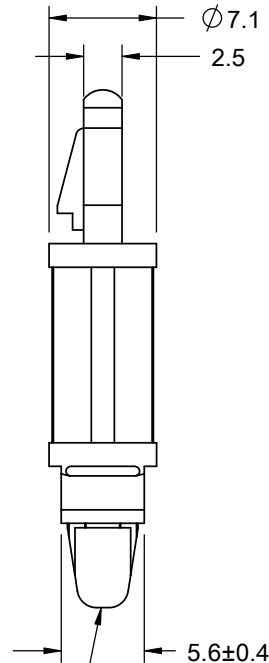
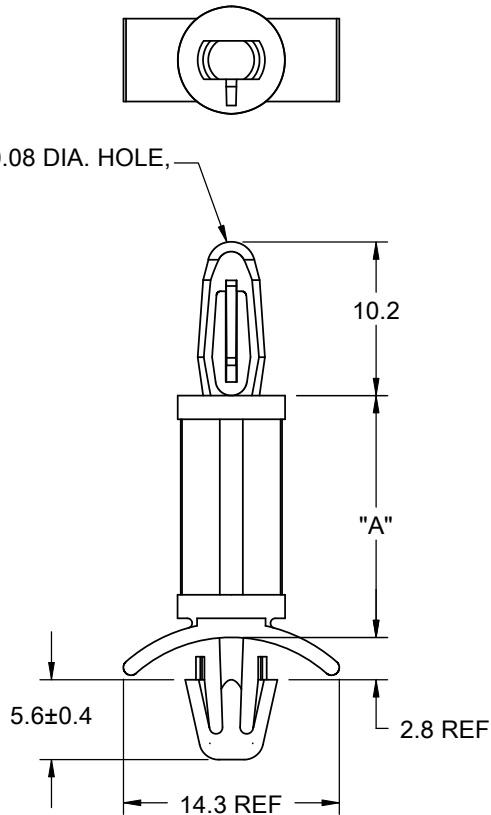


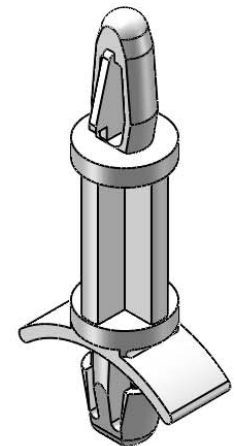
AVAILABLE BY SPECIAL ORDER ONLY

PART NO.	DIM. "A"±0.4
LCBS-6M-01	6
LCBS-8M-01	8
LCBS-10M-01	10
LCBS-12M-01	12
LCBS-14M-01	14
LCBS-16M-01	16

TO SNAP-LOCK IN A 4±0.08 DIA. HOLE, IN A 1.57 THICK BOARD



TO SNAP-LOCK IN A 4.75±0.08 DIA. HOLE, IN A 0.79-1.98 PANEL THICKNESS



NOTES:

- MATERIAL: NYLON 6/6 UL 94 V-2 (RMS-01).
MATERIAL: NYLON 6/6 UL 94 V-0 (RMS-19),
AVAILABLE BY SPECIAL ORDER. TO ORDER
REPLACE "-01" WITH "-19".
- COLOR: NATURAL.
BLUE AVAILABLE BY SPECIAL ORDER ONLY.

REV.			TITLE: LOCKING CIRCUIT BOARD SUPPORT (METRIC)				DWG IN mm		FINAL	
E	SEE CO 200290 FOR CHANGES	SK	12/04/08	FILE #: LCBS-M	DWN: SK	APP: RT				
D	REDRAWN, SEE ECN #1208 FOR CHANGES	SK	11/29/06	SHEET: 1 OF 1	SHEET SIZE: A	DT: 11/16/06	CHKD: SJ	PART #		PRINT TYPE
-	SEE ENGINEERING FOR REV A-C	---	----	RE: RICHCO, INC.	RICHCO, INC.		SEE TABLE		EA	
REV.	DESCRIPTION	ENGR.	DATE			ENG@RICHCO-INC.COM (773) 539-4060				