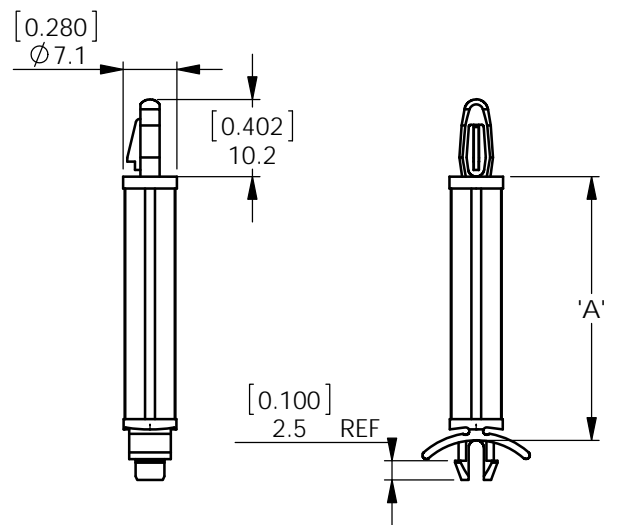


REV.	MODIFICATION.	DATE	DRN
03	CO2011026	29/11/10	SF
04	CO2011110	25/02/11	SF

TOP FIX: TO SNAP-LOCK A $\phi 4[0.157] \pm 0.08[0.003]$ HOLE IN A 1.6[0.063] THICK PANEL



BOTTOM FIX: TO SNAP-LOCK A $\phi 4.8[0.189] \pm 0.08[0.003]$ HOLE IN A 0.76 - 2[0.03-0.079] PANEL

PART NUMBER		'A' $\pm 0.4[.015]$
NYLON 6/6 UL94-V2(RMS-01)	NYLON 6/6 UL94-V0(RMS-19)	
COLOUR: NATURAL	COLOUR: NATURAL	
LCBS-5-3-01	LCBS-5-3-19	4.8[.189]
LCBS-5-4-01	LCBS-5-4-19	6.4[.252]
LCBS-5-5-01	LCBS-5-5-19	7.9[.311]
LCBS-5-6-01	LCBS-5-6-19	9.5[.374]
LCBS-5-7-01	LCBS-5-7-19	11.1[.437]
LCBS-5-8-01	LCBS-5-8-19	12.7[.500]
LCBS-5-10-01	LCBS-5-10-19	15.9[.626]
LCBS-5-12-01	LCBS-5-12-19	19.1[.752]
LCBS-5-14-01	LCBS-5-14-19	22.2[.874]
LCBS-5-16-01	LCBS-5-16-19	25.4[1.00]
LCBS-5-18-01	LCBS-5-18-19	28.6[1.126]
LCBS-5-20-01	LCBS-5-20-19	31.8[1.252]
LCBS-5-22-01	LCBS-5-22-19	34.9[1.374]
OTHER COLOURS AVAILABLE BY SPECIAL ORDER		

ALTERNATE UNITS FOR REFERENCE ONLY

INFORMATION CONTAINED IN THIS DOCUMENT IS CONFIDENTIAL TO RICHCO INTERNATIONAL Co. Ltd. AND MAY NOT BE DISCLOSED OR REPRODUCED IN WHOLE OR PART WITHOUT THEIR WRITTEN CONSENT.

RICHCO, INC. WWW.RICHCO-INC.COM	ALL DIMENSIONS IN mm[inches] GENERAL TOLERANCES ± 0.25 UNLESS OTHERWISE STATED 1 DECIMAL PLACE \pm 2 DECIMAL PLACES \pm ANGULAR $\pm 1^\circ$	THIRD ANGLE

MATERIAL: SEE TABLE	COLOUR: SEE TABLE
------------------------	----------------------

DESCRIPTION: LOCKING CIRCUITBOARD SUPPORT	PART No: See Table
--	-----------------------

DRG No: 100-0501	NPR No:	SHEET SIZE A4
---------------------	---------	------------------

DRN SF	DATE 29/11/10	CHKD TC	DATE 29/11/10	SCALE NTS	SHEET No. 1 OF 1
-----------	------------------	------------	------------------	--------------	---------------------