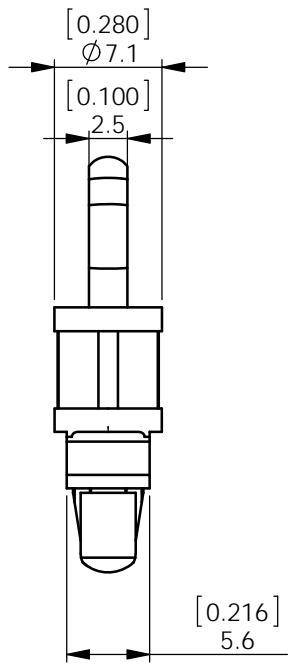
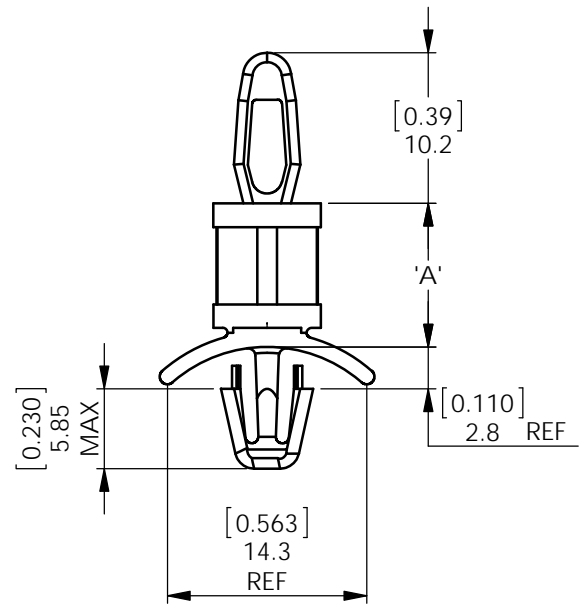


REV.	MODIFICATION.	DATE	DRN
01	CO2011120	22/03/11	SF

TOP FIX: TO SNAP-FIT A $\phi 4[0.157] \pm 0.08[0.003]$
HOLE IN A 1.6[0.063] PANEL



BOTTOM FIX: TO SNAP-LOCK A
 $\phi 4.8[0.189] \pm 0.08[0.003]$ HOLE
IN A 0.76 - 2 [0.03 - 0.079] PANEL

PART NUMBER		'A' $\pm 0.4[.015]$
NYLON 6/6 UL94-V2(RMS-01)	NYLON 6/6 UL94-V0(RMS-19)	
COLOUR: NATURAL	COLOUR: NATURAL	
LCBS-4-3-01	LCBS-4-3-19	4.8[.189]
LCBS-4-4-01	LCBS-4-4-19	6.4[.252]
LCBS-4-5-01	LCBS-4-5-19	7.9[.311]
LCBS-4-6-01	LCBS-4-6-19	9.5[.374]
LCBS-4-7-01	LCBS-4-7-19	11.1[.437]
LCBS-4-8-01	LCBS-4-8-19	12.7[.500]
LCBS-4-10-01	LCBS-4-10-19	15.9[.626]
LCBS-4-12-01	LCBS-4-12-19	19.1[.752]
LCBS-4-14-01	LCBS-4-14-19	22.2[.874]
LCBS-4-16-01	LCBS-4-16-19	25.4[1.00]
LCBS-4-18-01	LCBS-4-18-19	28.6[1.126]
LCBS-4-20-01	LCBS-4-20-19	31.8[1.252]
LCBS-4-22-01	LCBS-4-22-19	34.9[1.374]
OTHER COLOURS AVAILABLE BY SPECIAL ORDER		

ALTERNATE UNITS FOR REFERENCE ONLY

INFORMATION CONTAINED IN THIS DOCUMENT IS CONFIDENTIAL TO RICHCO INTERNATIONAL Co. Ltd. AND MAY NOT BE DISCLOSED OR REPRODUCED IN WHOLE OR PART WITHOUT THEIR WRITTEN CONSENT.

RICHCO, INC.
WWW.RICHCO-INC.COM

ALL DIMENSIONS IN mm[inches]
GENERAL TOLERANCES ± 0.25
UNLESS OTHERWISE STATED
1 DECIMAL PLACE \pm
2 DECIMAL PLACES \pm
ANGULAR $\pm 1^\circ$

THIRD ANGLE

MATERIAL: See table
COLOUR: See table

DESCRIPTION: LOCKING CIRCUITBOARD SUPPORT
PART No: See Table

DRG No: 100-0404
NPR No:
SHEET SIZE A4

DRN SF	DATE 22/03/11	CHKD TC	DATE 22/03/11	SCALE NTS	SHEET No. 1 OF 1
--------	---------------	---------	---------------	-----------	------------------