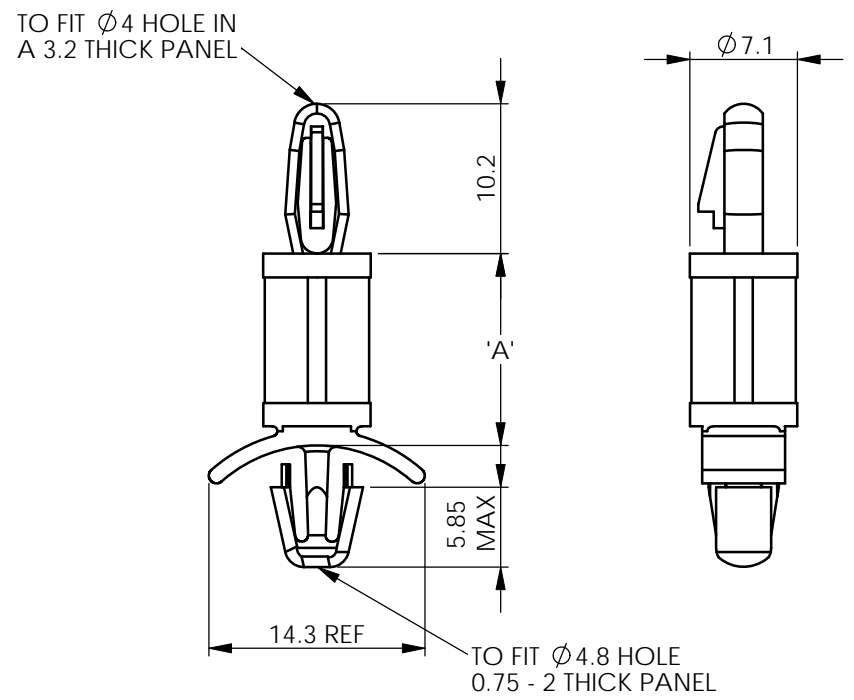


REV.	MODIFICATION.	DATE	DRN
03	CO2011026	29/11/10	SF



PART NUMBER			DIM 'A'
NYLON 6/6 UL94-V2(RMS-01)	NYLON 6/6 UL94-V0(RMS-19)	TOUGHENED NYLON 6 (RMS-78)	
LCBS-3-3-01	LCBS-3-3-19	LCBS-3-3-78	4.8
LCBS-3-4-01	LCBS-3-4-19	LCBS-3-4-78	6.4
LCBS-3-5-01	LCBS-3-5-19	LCBS-3-5-78	7.9
LCBS-3-6-01	LCBS-3-6-19	LCBS-3-6-78	9.5
LCBS-3-7-01	LCBS-3-7-19	LCBS-3-7-78	11.1
LCBS-3-8-01	LCBS-3-8-19	LCBS-3-8-78	12.7
LCBS-3-10-01	LCBS-3-10-19	LCBS-3-10-78	15.9
LCBS-3-12-01	LCBS-3-12-19	LCBS-3-12-78	19.1
LCBS-3-14-01	LCBS-3-14-19	LCBS-3-14-78	22.2
LCBS-3-16-01	LCBS-3-16-19	LCBS-3-16-78	25.4
LCBS-3-18-01	LCBS-3-18-19	LCBS-3-18-78	28.6
LCBS-3-20-01	LCBS-3-20-19	LCBS-3-20-78	31.8
LCBS-3-22-01	LCBS-3-22-19	LCBS-3-22-78	34.9

INFORMATION CONTAINED IN THIS DOCUMENT IS CONFIDENTIAL TO RICHCO INTERNATIONAL Co. Ltd. AND MAY NOT BE DISCLOSED OR REPRODUCED IN WHOLE OR PART WITHOUT THEIR WRITTEN CONSENT.

<b>RICHCO, INC.</b> WWW.RICHCO-INC.COM	ALL DIMENSIONS IN mm GENERAL TOLERANCES ±0.25 UNLESS OTHERWISE STATED 1 DECIMAL PLACE ± 2 DECIMAL PLACES ± ANGULAR ±1°	THIRD ANGLE 
---	---	-----------------

MATERIAL: See table	COLOUR: NATURAL
------------------------	--------------------

DESCRIPTION: LOCKING CIRCUITBOARD SUPPORT	PART No: See Table
--	-----------------------

DRG No: 100-0301	NPR No:	SHEET SIZE A4
---------------------	---------	------------------

DRN SF	DATE 29/11/10	CHKD TC	DATE 29/11/10	SCALE NTS	SHEET No. 1 OF 1
-----------	------------------	------------	------------------	--------------	---------------------