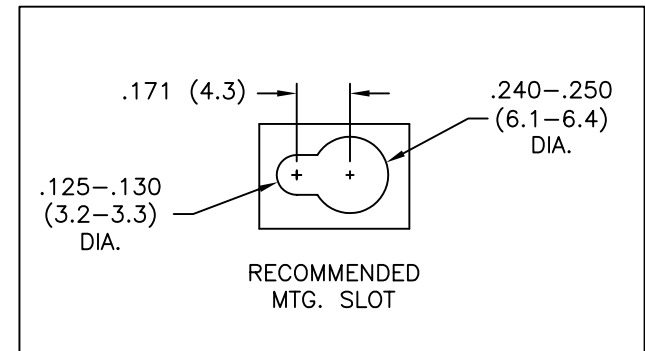
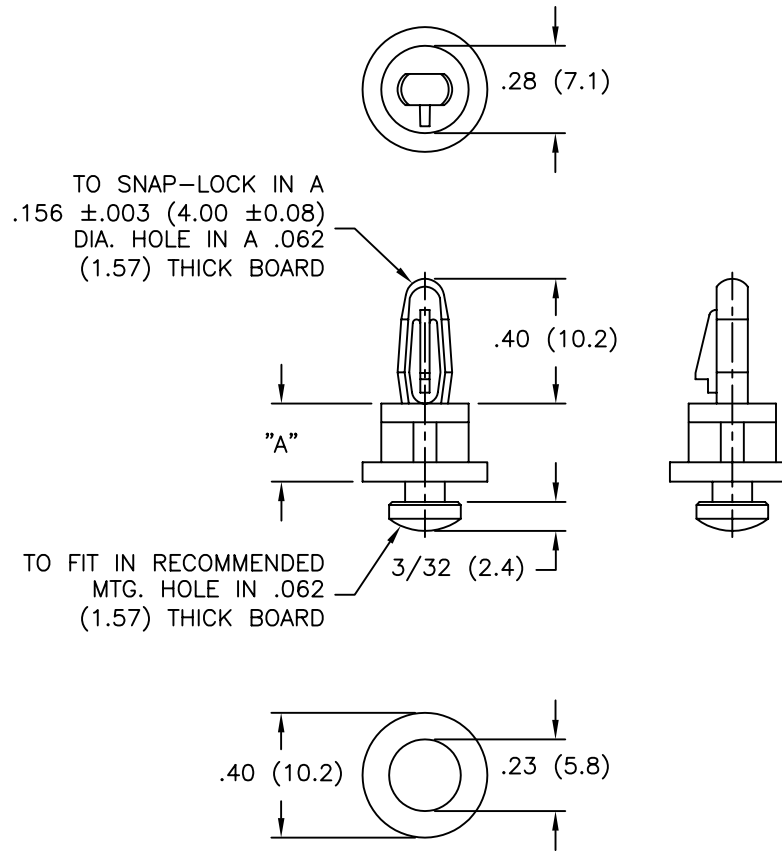


PART NO.	DIM. "A"
KSLBN-2-01	1/8 (3.2)
KSLBN-4-01	1/4 (6.4)
KSLBN-6-01	3/8 (9.5)
KSLBN-8-01	1/2 (12.7)



NOTES:

- MATERIAL: NYLON 6/6 (RMS-01).
FLAME RETARDANT, NYLON (RMS-19),
AVAILABLE BY SPECIAL ORDER ONLY.
- COLOR: NATURAL.

TITLE: KEY SLOT LOCKING B/N			DWG IN IN (MM) FINAL			
TOLERANCES UNLESS NOTED .XX=±.010 .XXX=±.005 FRAC=±1/64 ANG=±1°		FILE # KSLBN	DWN: P.B.	APP:	PART #	
MAT'L: SEE NOTES		RE: RICHCO, INC.	DT: 06-24-94	DT:	SEE TABLE	
C ADDED MAT'L FLAME RET. TO NOTES SM 06.20.02		RICHCO INC. PO BOX 804238, CHICAGO, 60680 (773) 539-4060		PRINT TYPE CA		
B CHANGED FILE NO. AND TITLE BLOCK SM 05.16.02						
A CONVERTED TO ACAD PB 06.24.94						
REV DESCRIPTION ENGR DATE						