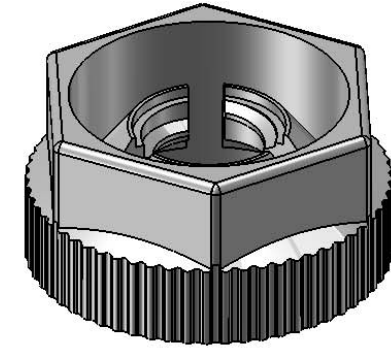
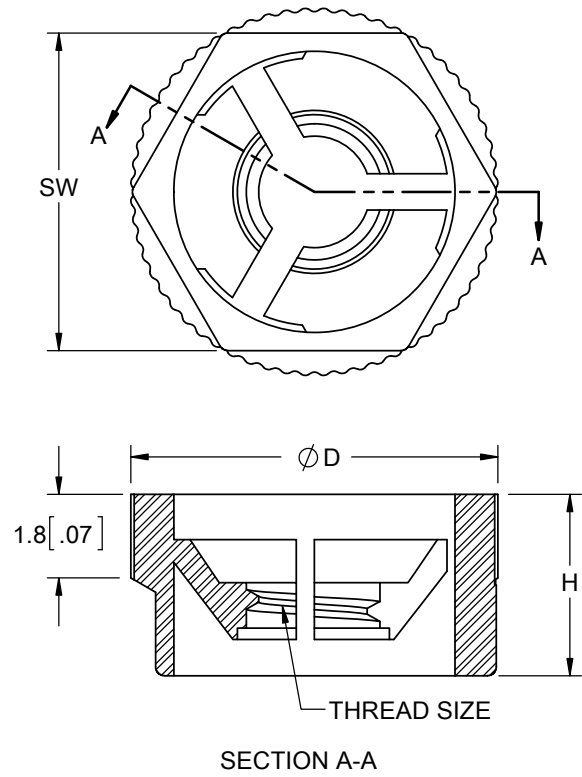


PART NO.	THREAD	SW	ØD	H
KNF-30	M3	7 [.28]	8.2 [.32]	4 [.16]
KNF-40	M4	8 [.32]	9.4 [.37]	4.7 [.19]
KNF-50	M5	10 [.39]	11.7 [.46]	5.8 [.23]
KNF-60	M6	13 [.51]	15.2 [.60]	7 [.28]



**NOTES:**

1. MATERIAL: NYLON 6/6 UL94 V-2 (RMS-48)
2. COLOR: BLACK.
3. ALTERNATE UNITS FOR REFERENCE ONLY.

E	REDRAWN, ADDED -50 & -60 SIZES, SEE CO 200764	SK	03/22/2012
-	SEE ENGINEERING FOR REV A TO D	-	----
REV.	DESCRIPTION	ENGR.	DATE

TITLE: <b>KWIK NUT FASTENER</b>					UNITS: mm [IN]	
<small>CREATED USING SOLIDWORKS</small>	FILE #: KNF	DWN: SK	APP: SK	FINAL		
<small>GENERAL TOLERANCE UNLESS NOTED</small> ±0.25 ANG. ±1°	SHEET: 1 OF 1	SHEET SIZE: A	DT: 03/01/2012	CHKD: DZ	PART #	PRINT TYPE
RE: RICHCO, INC.		RICHCO, INC. WWW.RICHCO-INC.COM		SEE TABLE		CA