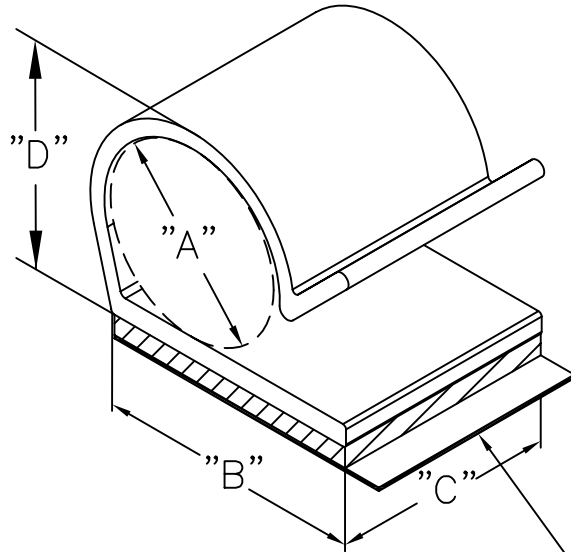
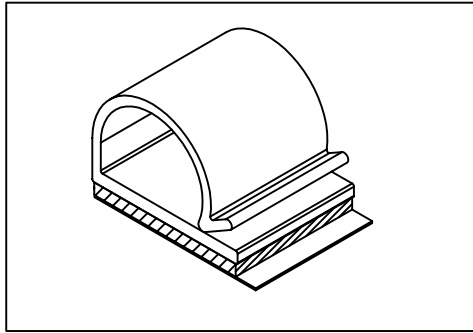


PART NO.	HOLDING CAPACITY "A"	"B" ±.020 (0.5)	"C" ±.02 (0.5)	"D" AT. MAX CAPACITY REF.	DOUBLE SIDED ADHESIVE TAPE 1/16" THICK.
KKR-5A1-RT	.521 (13.2)	.750 (19.1)	.625 (15.9)	.680 (17.3)	RUBBER (RMS-102)



TYPICAL RELEASE TAB LOCATION

NOTES:

1. MATERIAL: RIGID PVC (RMS-04). ALSO AVAILABLE IN CLEAR PVC (RMS-32) BY SPECIAL ORDER.
2. COLOR: GRAY.
3. 1/16" (1.6) THICK RUBBER ADHESIVE TAPE (RMS-102), BLUE LINER.
4. CUSTOM LENGTHS AVAILABLE BY SPECIAL ORDER.

I	SEE ECN # 1235 FOR CHANGES	SK 10.17.06							
H	CHANGED NOTE 1, ADDED NOTES 3 & 4.	SJ 03.18.02							
G	REMOVED KKR-5A-RT	DLC 11.01.01	TITLE: KWIK-KLIP, TYPE "R"			DWG IN		QR	
F	COMPLETELY RE-DRAWN	SM 07.23.01				IN (MM)			
E	INCREASED HEIGHT "D"	DLC 7/10/01	TOLERANCES UNLESS NOTED			DWN: S.M.		DT: 01/22/01	
D	INCREASED LENGTH OF ENTRY LIP	DLC 4/30/01	.XX=±.020			CHKD:		ENG:	
C	RELEASED TO PRODUCTION	SM 04.17.01	.XXX=±.015			PART #		PRINT	
B	CHANGED P/N TO ...-5A AND ...-5A1	SM 04.17.01	FRAC=±1/32			RICHCO INC.		TYPE	
A	DIM. "B" WAS .780 (19.8)	SM 03.07.01	ANG=±1°			ENG@RICHCO-INC.COM		CA	
REV	DESCRIPTION	ENGR DATE				RICHCO INC.		PART #	
						(773) 539-4060		KKR-5A1-RT	