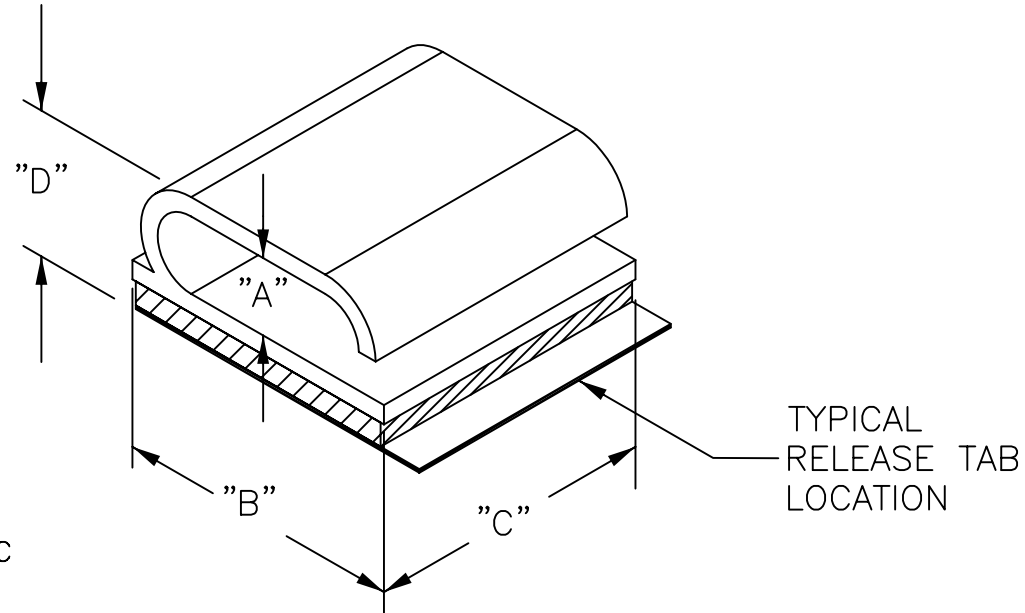


PART NO.	HOLDING CAPACITY "A"	"B"±.015 (0.4)	"C"±.02 (0.5)	"D" AT MAX CAPACITY REF.
KKF-10X4-RT	.20 X .56 (5.1 X 14.3)	.750 (19.1)	.750 (19.1)	.36 (9.1)



- NOTES:
- MAT'L: RIGID PVC (RMS-04). ALSO AVAILABLE IN CLEAR PVC (RMS-32) BY SPECIAL ORDER
 - COLOR: GRAY
 - TAPE: 1/16" THICK DOUBLE SIDED ADHESIVE (RMS-15).
 - CUSTOM LENGTHS AVAILABLE BY SPECIAL ORDER.

TITLE: KWIK-KLIP, TYPE "F", SIZE 10X4			DWG IN IN (MM)		FINAL					
D	CHANGED NOTE 1 & ADDED NOTE 4	SJ 03.18.02	TOLERANCES UNLESS NOTED .XX=.020 .XXX=.015 FRAC=1/64 ANG=1°	FILE #	KKF	DWN:	S.M.	APP:		
C	COMPLETELY RE-DRAWN & CHANGED FILE #	S.M.11.28.00		MAT'L:	SEE NOTE	DT:	11/28/00	DT:		PART #
B	ADDED NOTES, CORRECTED TAPE THICKNESS TO 1/16"	JK 2.10.00		RE:	RICHCO, INC.	RICHCO INC. PO BOX 804238, CHICAGO, 60680 (773) 539-4060		SEE TABLE		PRINT TYPE
A	COMPLETELY CORRECTED AND REVISED PRINT	JK 11.17.99								
REV	DESCRIPTION	ENGR DATE								