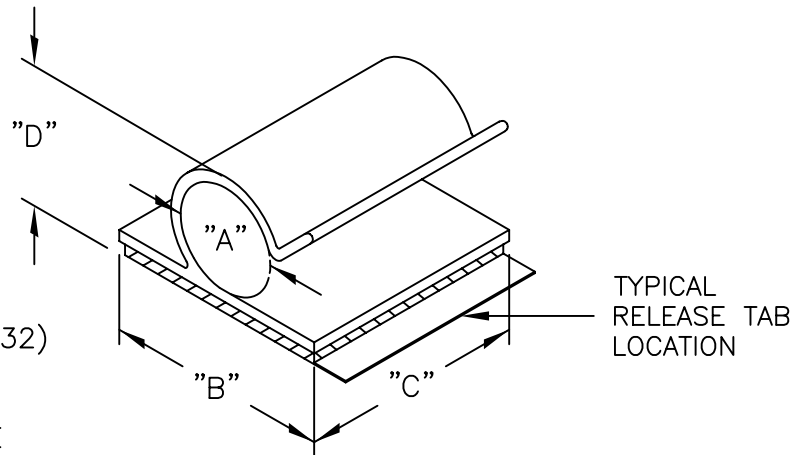


PART NO.	HOLDING CAPACITY "A"	"B" ±.015 (0.4)	"C" ±.02 (0.5)	"D" AT. MAX CAPACITY REF.
KKC-2-RT	1/8 (3.2)	3/4 (19.1)	.750 (19.1)	.31 (7.9)
KKC-3-RT	3/16 (4.8)			.33 (8.4)
KKC-4-RT	1/4 (6.4)			.42 (10.7)
KKC-5-RT	5/16 (7.9)			.48 (12.2)
KKC-6-RT	3/8 (9.5)			.60 (15.2)
KKC-8-RT	1/2 (12.7)	1 (25.4)	1.000 (25.4)	.69 (17.5)
KKC-12-RT	3/4 (19.1)			.94 (23.9)



NOTES:

1. MATERIAL: RIGID PVC (RMS-04).
ALSO AVAILABLE IN CLEAR PVC (RMS-32)
BY SPECIAL ORDER.
2. COLOR: GRAY.
3. 1/16" THICK DOUBLE SIDED ADHESIVE
ACRYLIC TAPE (RMS-15), WHITE LINER.
4. 1/16" THICK DOUBLE SIDED ADHESIVE
RUBBER TAPE (RMS-102), BLUE LINER.
BY SPECIAL ORDER ONLY.
TO ORDER USE P/N: KKC-X-A1-RT.
5. CUSTOM LENGTHS AVAILABLE BY SPECIAL ORDER.

TITLE: KWIK-KLIP, TYPE "C"			DWG IN IN (MM)		FINAL			
D	CHANGED NOTE 1, ADDED NOTE 5	SJ 03.14.02	TOLERANCES UNLESS NOTED .XX=±.020 .XXX=±.015 FRAC=±1/64 ANG=±1'	FILE # KKC	DWN: S.M.	APP:	PART # SEE TABLE	PRINT TYPE CA
C	CHANGED NOTE 3. AND ADDED NOTE 4.	SM 05.31.01		MAT'L: SEE NOTES	DT: 11/14/00	DT:		
B	COMPLETELY RE-DRAWN & CHANGED FILE #	SM 11.14.00		RE: RICHCO, INC.	RICHCO INC. PO BOX 804238, CHICAGO, 60680 (773) 539-4060			
A	ADDED NOTES, CORRECTED TAPE THICKNESS TO 1/16"	JK 2.10.00						
REV	DESCRIPTION	ENGR DATE						