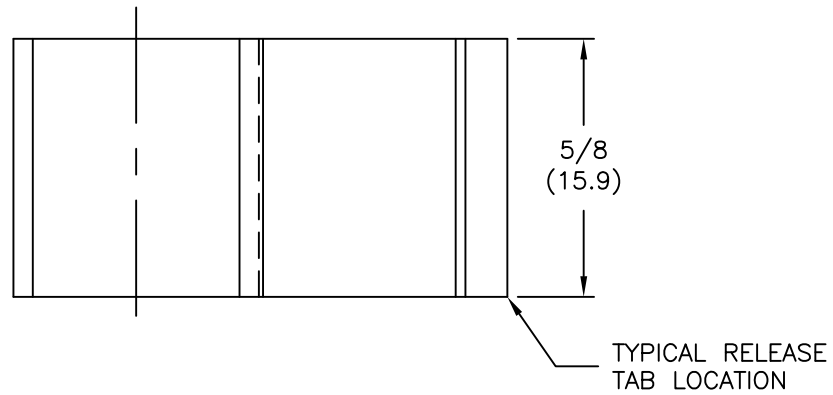
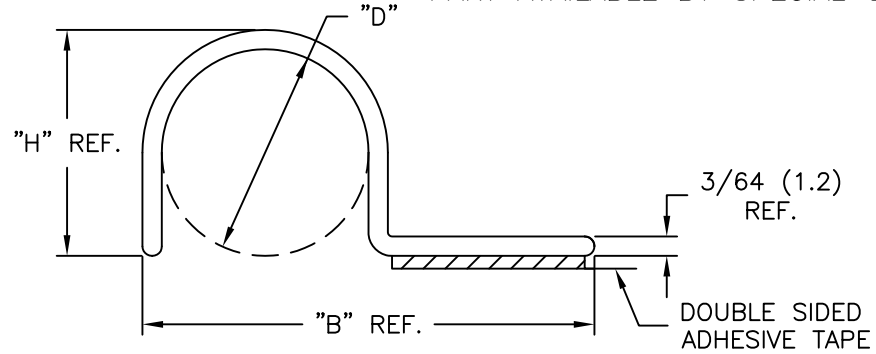


PART NO.	"D" BUNDLE DIA.	"B"	"H"
HUC-2-RT	1/8 (3.2)	23/32 (18.3)	11/64 (4.4)
HUC-4-RT	1/4 (6.4)	27/32 (21.4)	19/64 (7.5)
*HUC-6-RT	3/8 (9.5)	31/32 (24.6)	27/64 (10.7)
*HUC-8-RT	1/2 (12.7)	1-3/32 (27.8)	35/64 (13.9)

*PART AVAILABLE BY SPECIAL ORDER ONLY



NOTES:

1. MAT'L: RIGID PVC (RMS-04)
2. COLOR: BLACK
3. TAPE: 1/32" THICK DOUBLE SIDED ADHESIVE (RMS-15)

F	SEE CO 200604 FOR CHANGES	SK 12.01.10	TITLE: HALF "U" CLIP			⊕	ENG	DWG IN IN(MM)	QR
E	SEE CO 200035 FOR CHANGES	SK 09.26.07	FILE # HUC			DWN: S.M.	DT: 12/15/00	FINAL	
D	SEE ECN # 1135	SJ 03.07.06	MAT'L: SEE NOTES			CHKD:	ENG:	PART #	
C	COMPLETELY RE-DRAWN & CHANGED FILE #	S.M.12.15.00	RE: RICHCO, INC.			RICHCO INC.		SEE TABLE	
B	CORRECTED TAPE THICKNESS TO 1/32"	JK 2.18.00	TOLERANCES UNLESS NOTED .XX=±.020 .XXX=±.015 FRAC=±1/32 ANG=±1'			ENG@RICHCO-INC.COM (773) 539-4060		PRINT TYPE	
A	ADDED NOTES, CORRECTED TAPE THICKNESS TO 1/16"	JK 2.10.00							
REV	DESCRIPTION	ENGR DATE							