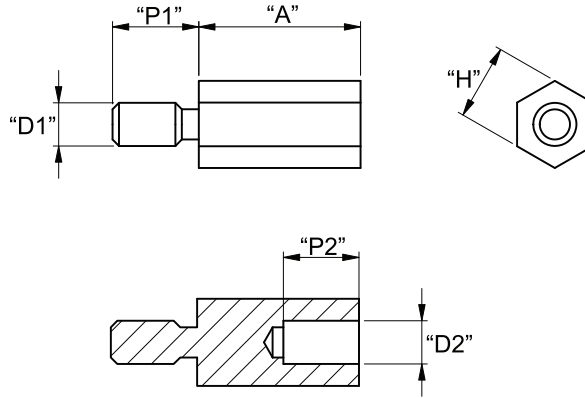
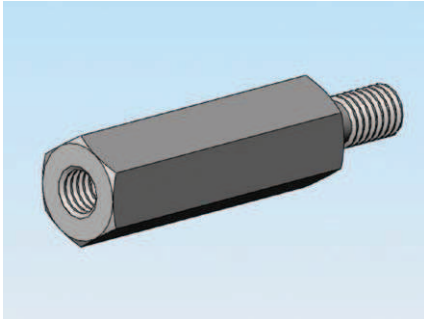


HTSBG-2 Hexagonal Brass Standoff



Material: Brass CuZn39Pb3, RMS-260 Nickel Plating, RMS-299	Standard Pack: 100 per bag				
	"D1" & "D2" Thread	"A" Standoff Height Insert this number into the part number for "A"	"H"	"P1"	"P2"
HTSBG-M2-A-4-2	M2	5/6	4	5	3
		8			5
		10/12/15/18/20/25/30/35/40/45/50			6
HTSBG-M2.5-A-4-2	M2.5	5/6	4	6	3
		8			5
		10			6
		12			7
		15/18/20/25/30/35/40/45/50			10
HTSBG-M2.5-A-5-2	M2.5	5/6	5	6	3
		8			5
		10			6
		12			7
		15/18/20/25/30/35/40/45/50/55/60			10
HTSBG-M3-A-5-2	M3	5/6	5	6	3
		8			5
		10			6
		12			7
		15/18/20/25/30/35/40/45/50/55/60			10
HTSBG-M3-A-5-2-L	M3	5/6	5	8	3
		8			5
		10			7
		12			8
		15/18/20/25/30/35/40/45/50/55/60			10
HTSBG-M3-A-5.5-2	M3	5/6	5.5	6	3
		8			5
		10			7
		12			8
		15/18/20/25/30/35/40/45/50/55/60/65/70			10
HTSBG-M3-A-5.5-2-L	M3	5/6	5.5	8	3
		8			5
		10			6
		12			7
		15/18/20/25/30/35/40/45/50/55/60/65/70			10
HTSBG-M4-A-7-2	M4	5/6	7	8	3
		8			5
		10			6
		12			7
		15/18/20/25/30/35/40/45/50/55/60/65/70/75/80/85/90/95/100			10
HTSBG-M5-A-8-2	M5	5	8	8	3
		8			5
		10			6
		12			6
		15/18/20/25/30/35/40/45/50/55/60/65/70/75/80/85/90/95/100			10
HTSBG-M6-A-10-2	M6	5	10	10	3
		8			5
		10			6
		12			7
		15/18/20/25/30/35/40/45/50/55/60/65/70/75/80/85/90/95/100			10