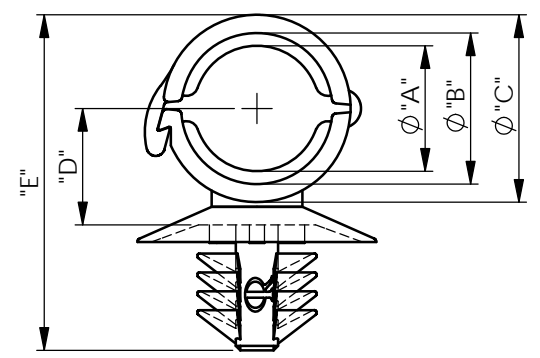
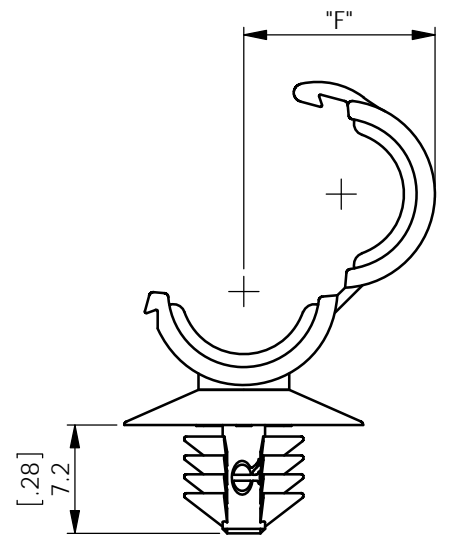
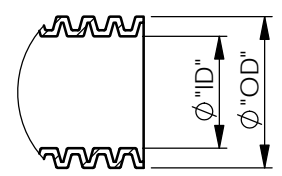
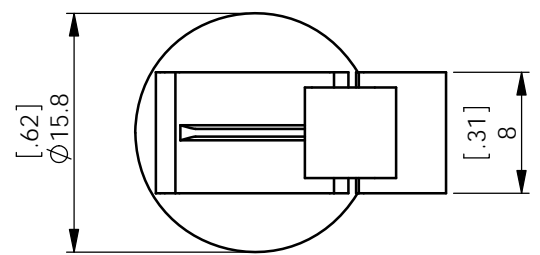


REV.	MODIFICATION.	DATE	DRN
01	Production Release	18/09/08	MT
02	CO2010437	10/10/08	MT
03	CO2010507	10/12/08	MT
04	CO2011057	16/02/11	SF
05	CO2011135	14/04/11	SF
06	CO2011170	20/07/11	SF



NOTE:

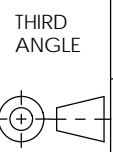
- HLCC-1-01WH IS ONLY AVAILABLE IN NYLON 6/6 UL94 V-2 (RMS-01) MATERIAL BY SPECIAL ORDER.

ALTERNATE UNITS FOR REFERENCE ONLY

INFORMATION CONTAINED IN THIS DOCUMENT IS CONFIDENTIAL TO RICHCO INTERNATIONAL Co. Ltd. AND MAY NOT BE DISCLOSED OR REPRODUCED IN WHOLE OR PART WITHOUT THEIR WRITTEN CONSENT.

RICHCO, INC.
WWW.RICHCO-INC.COM

ALL DIMENSIONS IN mm
GENERAL TOLERANCES ±0.25
UNLESS OTHERWISE STATED
1 DECIMAL PLACE ±
2 DECIMAL PLACES ±
ANGULAR ±1°



MATL: NYLON 6/6 UL94 V-2 (RMS-01), COLOUR: WHITE	MATL: NYLON 6/6 RMS-47, COLOUR: BLACK	RECOMMENDED CORRUGATED TUBE SIZE		PANEL HOLE DIA	PANEL THICKNESS	"A"	"B"	"C"	"D"	"E"	"F"
		ID Ø	OD Ø			REF	REF	REF	REF	REF	REF
HLCC-1-01WH	HLCC-1BK	5 [.20]	7.1 [.28]	6.5 - 7.0 [.26 - .28]	0.8 - 3 [.03 - .12]	5.8 [.23]	7.2 [.28]	9.6 [.38]	6.3 [.25]	19.7 [.78]	9.8 [.39]
-	HLCC-2BK	6.9 [.27]	9.9 [.39]			8.3 [.33]	10 [.39]	12.4 [.49]	7.7 [.30]	22.2 [.87]	12.6 [.50]

MATERIAL: SEE TABLE & NOTE 1.				COLOUR: SEE TABLE	
DESCRIPTION: HINGED LOCKING CABLE CLAMP				PART NO: SEE TABLE	
DRG No: 08-047		NPR No: DE08-0059		SHEET SIZE A4	
DRN MT	DATE 27/11/08	CHKD TC	DATE 12/12/08	SCALE NTS	SHEET No. 1 OF 1