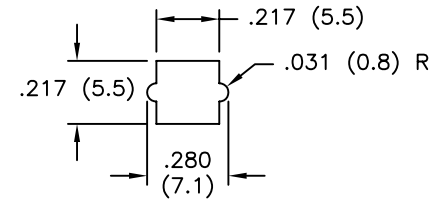
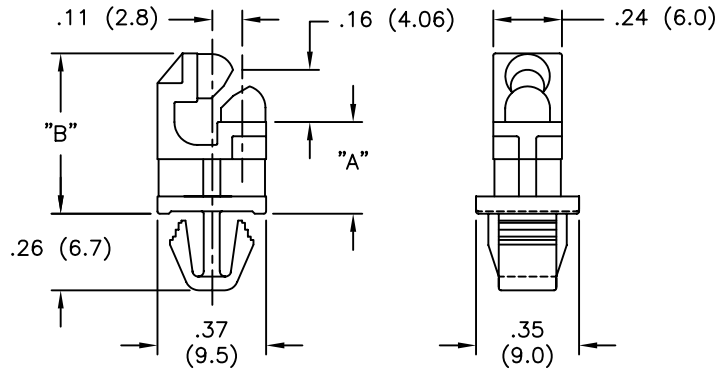
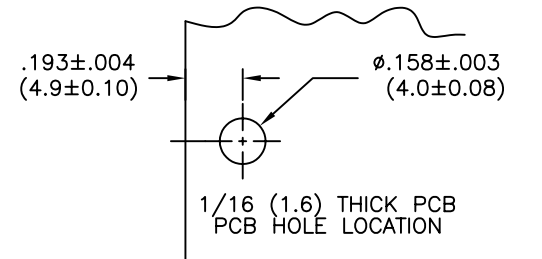


PART NO.	"A"	"B"
HLCBSE2-4M-01	.16 (4.0)	.39 (10.0)
HLCBSE2-6M-01	.24 (6.0)	.45 (12.0)
HLCBSE2-8M-01	.32 (8.0)	.55 (14.0)
HLCBSE2-10M-01	.39 (10.0)	.63 (16.0)
HLCBSE2-12M-01	.45 (12.0)	.71 (18.0)
HLCBSE2-14M-01	.55 (14.0)	.79 (20.0)
HLCBSE2-25M-01	.98 (25.0)	1.22 (31.0)
HLCBSE2-30M-01	1.18 (30.0)	1.42 (36.0)

AVAILABLE BY SPECIAL ORDER ONLY



.047-.071 (1.2-1.8)
THICK CHASSIS
CHASSIS MOUNTING HOLE



NOTES:

- MATERIAL: NYLON 6/6 (RMS-01).
FLAME RETARDANT NYLON (RMS-19),
AVAILABLE BY SPECIAL ORDER ONLY.
- COLOR: NATURAL.

TITLE: HINGED LOCKING CIRCUIT BOARD SUPPORT			DWG IN IN (MM)		FINAL			
E	SEE ECN #862 FOR CHANGES	SM 10.04.04	TOLERANCES UNLESS NOTED	FILE # HLCBSE2	DWN: P.B.	APP:	PART #	
D	SEE ECN #519 FOR CHANGES	SM 11.13.02	.XX=±.010	MAT'L: SEE NOTES	DT: 08-23-94	DT:	HLCBSE2	
C	ADDED NOTE 2, UPDATED PRINT, CHANGED FILE NO.	SM 02.07.02	.XXX=±.005	RE: RICHCO, INC.	RICHCO INC. PO BOX 804238, CHICAGO, 60680 (773) 539-4060		PRINT TYPE	
B	PRINT CHANGED PER UK PRINT	JL 5.4.00	FRAC=1/64					CA
A	CENTER LINES ADDED	PB 111194	ANG=1°					
REV	DESCRIPTION	ENGR DATE						