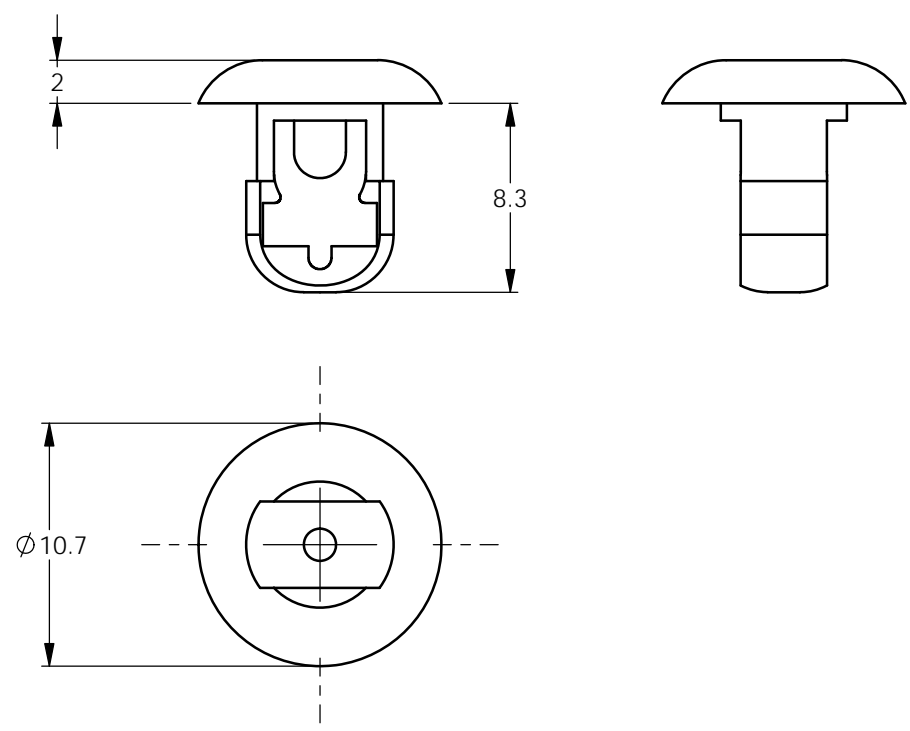
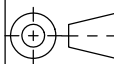


REV.	MODIFICATION.	DATE	DRN
01	CO2011072	18/02/11	SF



INFORMATION CONTAINED IN THIS DOCUMENT IS CONFIDENTIAL TO RICHCO INTERNATIONAL Co. Ltd. AND MAY NOT BE DISCLOSED OR REPRODUCED IN WHOLE OR PART WITHOUT THEIR WRITTEN CONSENT.

RICHCO, INC. WWW.RICHCO-INC.COM	ALL DIMENSIONS IN mm GENERAL TOLERANCES ± 0.25 UNLESS OTHERWISE STATED 1 DECIMAL PLACE \pm 2 DECIMAL PLACES \pm ANGULAR $\pm 1^\circ$	THIRD ANGLE 

MATERIAL: UL94 V-2 NYLON 6/6, RMS-01* COLOUR: NATURAL			
PART No.	HOLE ϕ	PANEL THICKNESS	CABLE TIES ACCEPTED
FTH-9-01-M	6.35 ± 0.08	3.18 MAX.	ALL RG CABLE TIES UP TO SIZE RG-220/320
*AVAILABLE IN UL94 V-0 BY SPECIAL ORDER. TO ORDER REPLACE -01 WITH -19.			

MATERIAL: See table		COLOUR: See table	
DESCRIPTION: FLAT TIE HOLDER		PART No: See Table	
DRG No: 011-021	NPR No: XXXX-XXX	SHEET SIZE A4	
DRN SF	DATE 18/02/11	CHKD JK	DATE 18/02/11
SCALE NTS	SHEET No. 1 OF 1		