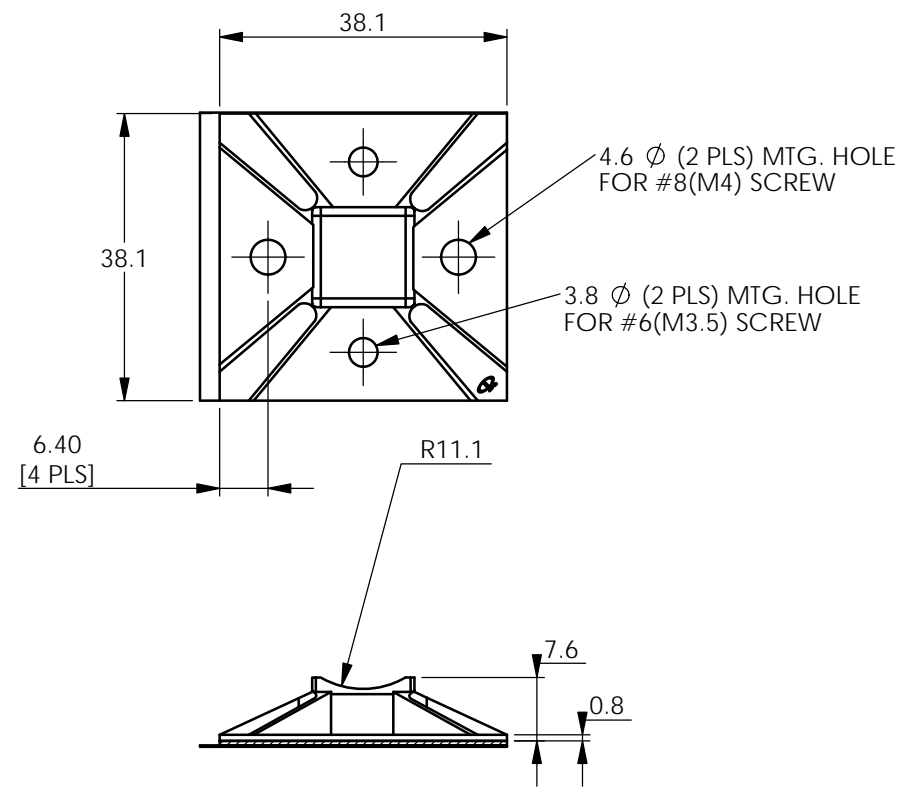


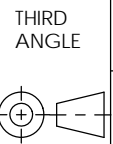
REV.	MODIFICATION.	DATE	DRN
01	CO2011071	18/02/11	SF



INFORMATION CONTAINED IN THIS DOCUMENT IS CONFIDENTIAL TO RICHCO INTERNATIONAL Co. Ltd. AND MAY NOT BE DISCLOSED OR REPRODUCED IN WHOLE OR PART WITHOUT THEIR WRITTEN CONSENT.

**RICHCO, INC.**  
WWW.RICHCO-INC.COM

ALL DIMENSIONS IN mm  
GENERAL TOLERANCES  $\pm 0.25$   
UNLESS OTHERWISE STATED  
1 DECIMAL PLACE  $\pm$   
2 DECIMAL PLACES  $\pm$   
ANGULAR  $\pm 1^\circ$



PART NUMBER	MATERIAL	COLOUR	ADHESIVE	CABLE TIES ACCEPTED
FTH-8-01	NYLON 6/6 UL94 V-2 (RMS-01)	NATURAL	NONE	ALL RG CABLE TIES UP TO SIZE RG-220/320 AND RG-227C/327, 229/329, 231/331
FTH-8A4-RT			0.8 THICK, DOUBLE SIDED ADHESIVE(RMS-015)	
PARTS AVAILABLE IN NYLON 6/6 UL94 V-0 (RMS-19) BY SPECIAL ORDER COLOUR:NATURAL				

MATERIAL: See table			COLOUR: See table		
DESCRIPTION: FLAT TIE HOLDER			PART No: See Table		
DRG No: 011-020		NPR No: XXXX-XXX		SHEET SIZE A4	
DRN SF	DATE 18/02/11	CHKD JK	DATE 18/02/11	SCALE NTS	SHEET No. 1 OF 1