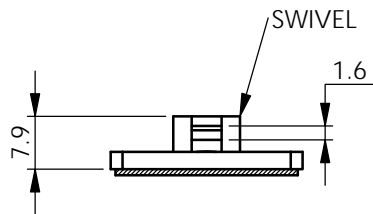
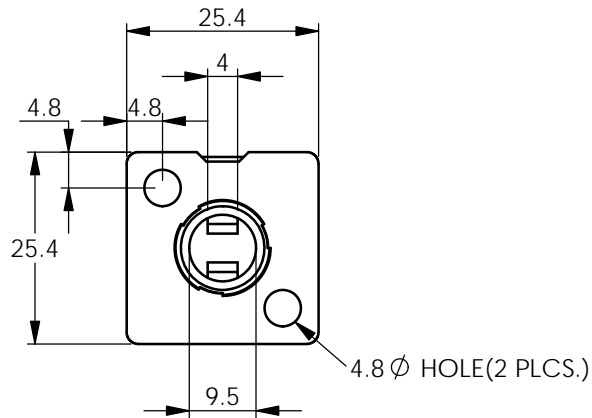
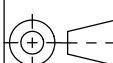


PART NUMBER	CABLE TIES ACCEPTED	MATERIAL	COLOUR	ADHESIVE	MOUNTING SCREW
FTH-4A-RT-M	ALL RG CABLE TIES UP TO SIZE RG-220/320	UL94 V-2 NYLON 6/6(RMS-01)	NATURAL	0.8 THICK, ACRYLIC ADHESIVE(RMS-015)	2 X M4
FTH-4A-RT-UVB-M*		UL94 V-2 UV STABILIZED NYLON 6/6 (RMS-46)	BLACK		
FTH-4A-RT-19-M*		UL94 V-0 NYLON 6/6 (RMS-19)	NATURAL		
* AVAILABLE BY SPECIAL ORDER					

REV.	MODIFICATION.	DATE	DRN
01	CO2011068	18/02/11	SF



<i>INFORMATION CONTAINED IN THIS DOCUMENT IS CONFIDENTIAL TO RICHCO INTERNATIONAL Co. Ltd. AND MAY NOT BE DISCLOSED OR REPRODUCED IN WHOLE OR PART WITHOUT THEIR WRITTEN CONSENT.</i>					
RICHCO, INC. WWW.RICHCO-INC.COM		ALL DIMENSIONS IN mm GENERAL TOLERANCES ±0.25 UNLESS OTHERWISE STATED 1 DECIMAL PLACE ± 2 DECIMAL PLACES ± ANGULAR ±1°		THIRD ANGLE 	
MATERIAL: See table				COLOUR: BLACK	
DESCRIPTION: FLAT TIE HOLDER				PART No: See Table	
DRG No: 011-018		NPR No: XXXX-XXX		SHEET SIZE A4	
DRN SF	DATE 18/02/11	CHKD JK	DATE 18/02/11	SCALE NTS	SHEET No. 1 OF 1