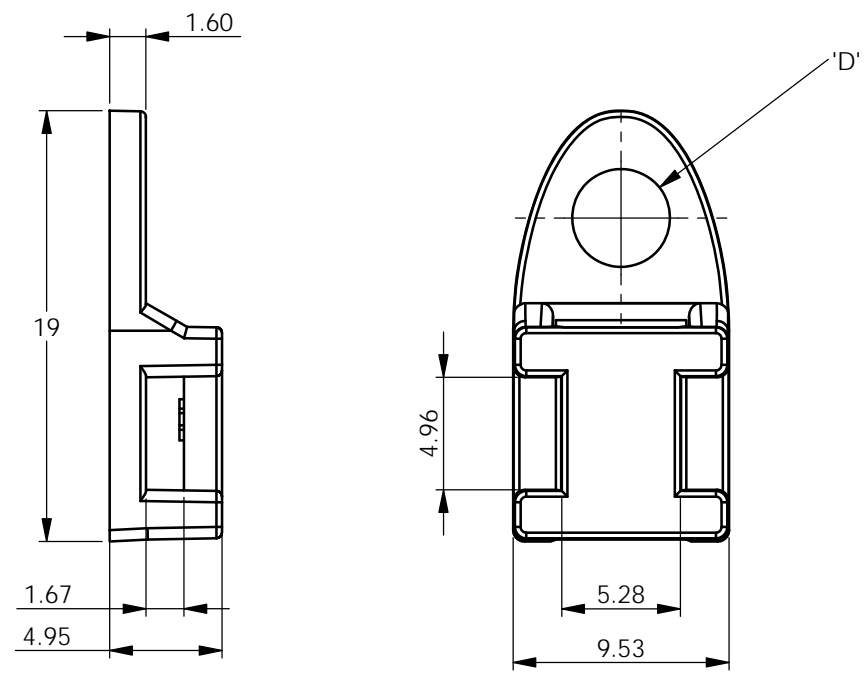
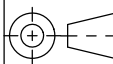


| REV. | MODIFICATION. | DATE | DRN |
|------|---------------|----------|-----|
| 01 | CO2011086 | 21/02/11 | SF |



| MATERIAL: UL94 V-2 NYLON 6/6, RMS-01* COLOUR: NATURAL | | | |
|---|------------|---|----------------|
| PART No. | 'D' ϕ | CABLE TIE ACCEPTED | MOUNTING SCREW |
| FTH-34-01 | 4.3 | ALL RG CABLE TIES UP TO SIZE RG-220/320 | M4 |
| FTH-35-01 | 5.1 | | M5 |
| *AVAILABLE IN UL94 V-0 BY SPECIAL ORDER. TO ORDER REPLACE -01 WITH -19. | | | |

INFORMATION CONTAINED IN THIS DOCUMENT IS CONFIDENTIAL TO RICHCO INTERNATIONAL Co. Ltd. AND MAY NOT BE DISCLOSED OR REPRODUCED IN WHOLE OR PART WITHOUT THEIR WRITTEN CONSENT.

| | | |
|---|--|--|
| RICHCO, INC. WWW.RICHCO-INC.COM | ALL DIMENSIONS IN mm GENERAL TOLERANCES ± 0.25 UNLESS OTHERWISE STATED 1 DECIMAL PLACE \pm 2 DECIMAL PLACES \pm ANGULAR $\pm 1^\circ$ | THIRD ANGLE  |
|---|--|--|

| | | | | | | | |
|------------------|----------|-----------|----------|------------|-----------|-----------|--|
| MATERIAL: | | SEE TABLE | | COLOUR: | | SEE TABLE | |
| DESCRIPTION: | | | | PART No: | | | |
| TIE ANCHOR MOUNT | | | | SEE TABLE | | | |
| DRG No: | | NPR No: | | SHEET SIZE | | | |
| 011-033 | | | | A4 | | | |
| DRN | DATE | CHKD | DATE | SCALE | SHEET No. | | |
| SF | 21/02/11 | JK | 21/02/11 | NTS | 1 OF 1 | | |