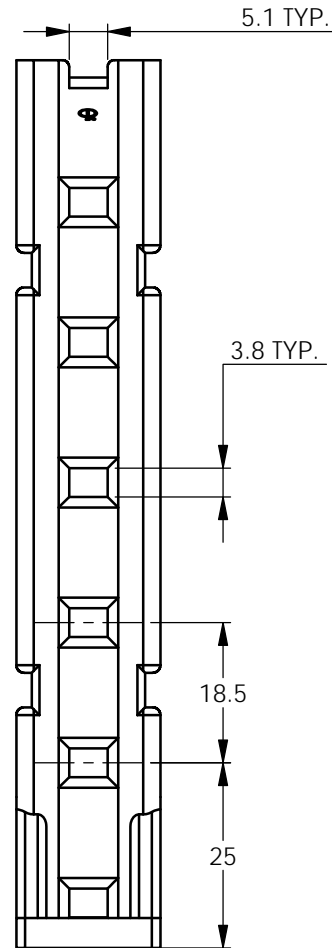
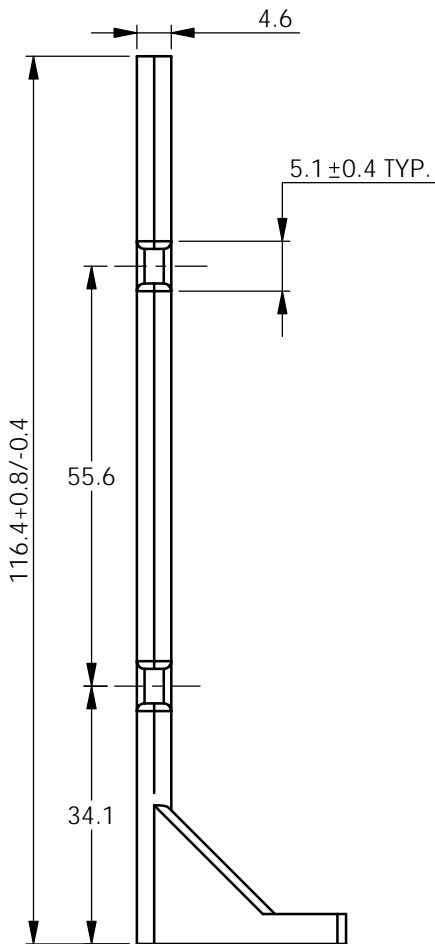


MATERIAL: UL94 V-2 NYLON 6/6, RMS-01* COLOUR: NATURAL			
PART No.	Ø "A"	CABLE TIE ACCEPTED	MOUNTING SCREW
FTH-24-01	5.3	ALL RG CABLE TIES UP TO SIZE RG-220/320	M5
FTH-24-1-01	6.4		M6
*AVAILABLE IN UL94 V-0 BY SPECIAL ORDER. TO ORDER REPLACE -01 WITH -19.			

REV.	MODIFICATION.	DATE	DRN
01	CO2011082	21/02/11	SF



INFORMATION CONTAINED IN THIS DOCUMENT IS CONFIDENTIAL TO RICHCO INTERNATIONAL Co. Ltd. AND MAY NOT BE DISCLOSED OR REPRODUCED IN WHOLE OR PART WITHOUT THEIR WRITTEN CONSENT.

RICHCO, INC.
WWW.RICHCO-INC.COM

ALL DIMENSIONS IN mm
GENERAL TOLERANCES ±0.25
UNLESS OTHERWISE STATED
1 DECIMAL PLACE ±
2 DECIMAL PLACES ±
ANGULAR ±1°



MATERIAL:
SEE TABLE

COLOUR:
SEE TABLE

DESCRIPTION:
FLAT TIE HOLDER

PART No:
SEE TABLE

DRG No:
011-028

NPR No:
XXXX-XXX

SHEET SIZE A4

DRN
SF

DATE
21/02/11

CHKD
JK

DATE
21/02/11

SCALE
NTS

SHEET No.
1 OF 1