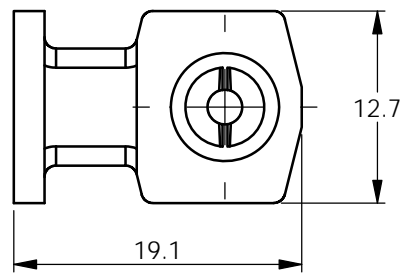
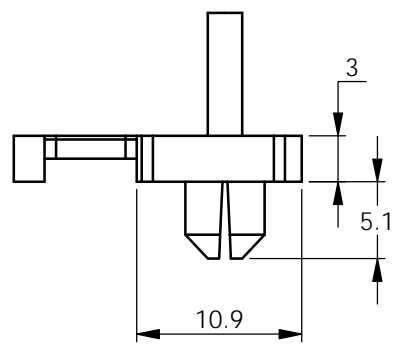


A B C D E F

REV.	MODIFICATION.	DATE	DRN
01	CO2011090	23/02/11	SF



INFORMATION CONTAINED IN THIS DOCUMENT IS CONFIDENTIAL TO RICHCO INTERNATIONAL Co. Ltd. AND MAY NOT BE DISCLOSED OR REPRODUCED IN WHOLE OR PART WITHOUT THEIR WRITTEN CONSENT.

<b>RICHCO, INC.</b> WWW.RICHCO-INC.COM	ALL DIMENSIONS IN mm GENERAL TOLERANCES $\pm 0.25$ UNLESS OTHERWISE STATED 1 DECIMAL PLACE $\pm$ 2 DECIMAL PLACES $\pm$ ANGULAR $\pm 1^\circ$	THIRD ANGLE 

MATERIAL: UL94 V-2 NYLON 6/6, RMS-01* COLOUR: YELLOW			
PART No.	HOLE $\phi$	PANEL THICKNESS	CABLE TIE ACCEPTED
FTH-22-01	5 $\pm 0.05$	0.8 - 3.2	ALL RG CABLE TIES UP TO SIZE RG-220/320
*AVAILABLE IN UL94 V-0 MATERIAL BY SPECIAL ORDER ONLY. TO ORDER REPLACE -01 WITH -19.			

MATERIAL: SEE TABLE		COLOUR: SEE TABLE	
DESCRIPTION: SELF MOUNT FLAT TIE HOLDER		PART No: SEE TABLE	
DRG No: 011-038	NPR No: XXXX-XXX	SHEET SIZE A4	
DRN SF	DATE 23/02/11	CHKD JK	DATE 23/02/11
SCALE NTS	SHEET No. 1 OF 1		

A B C D E F FORM No. 0143/00