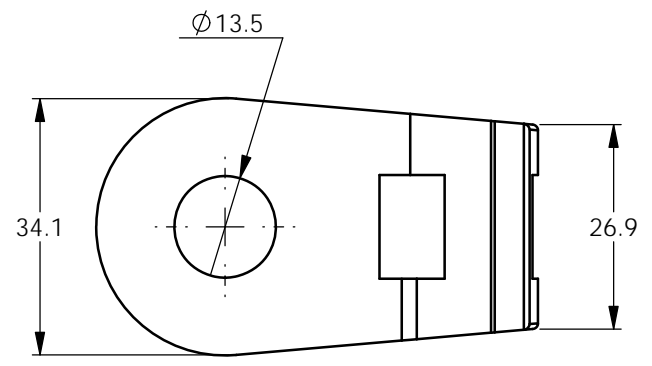
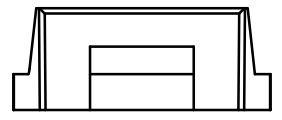
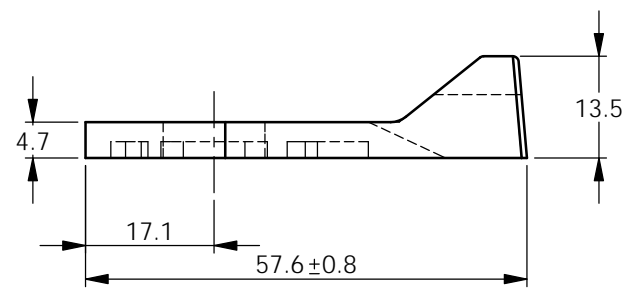


REV.	MODIFICATION.	DATE	DRN
01	CO2011080	21/02/11	SF



MATERIAL: UL94 V-2 NYLON 6/6, RMS-01*	
COLOUR: NATURAL	
PART No.	CABLE TIE ACCEPTED
FTH-17-8-01	ALL RG CABLE TIES
*AVAILABLE IN UL94 V-0 BY SPECIAL ORDER. TO ORDER REPLACE -01 WITH -19.	



INFORMATION CONTAINED IN THIS DOCUMENT IS CONFIDENTIAL TO RICHCO INTERNATIONAL Co. Ltd. AND MAY NOT BE DISCLOSED OR REPRODUCED IN WHOLE OR PART WITHOUT THEIR WRITTEN CONSENT.

<b>RICHCO, INC.</b> WWW.RICHCO-INC.COM	ALL DIMENSIONS IN mm GENERAL TOLERANCES ±0.25 UNLESS OTHERWISE STATED 1 DECIMAL PLACE ± 2 DECIMAL PLACES ± ANGULAR ±1°	THIRD ANGLE 

MATERIAL: SEE TABLE	COLOUR: SEE TABLE
------------------------	----------------------

DESCRIPTION: FLAT TIE HOLDER	PART No: SEE TABLE
---------------------------------	-----------------------

DRG No: 011-026	NPR No: XXXX-XXX	SHEET SIZE A4
--------------------	---------------------	------------------

DRN SF	DATE 21/02/11	CHKD JK	DATE 21/02/11	SCALE NTS	SHEET No. 1 OF 1
-----------	------------------	------------	------------------	--------------	---------------------