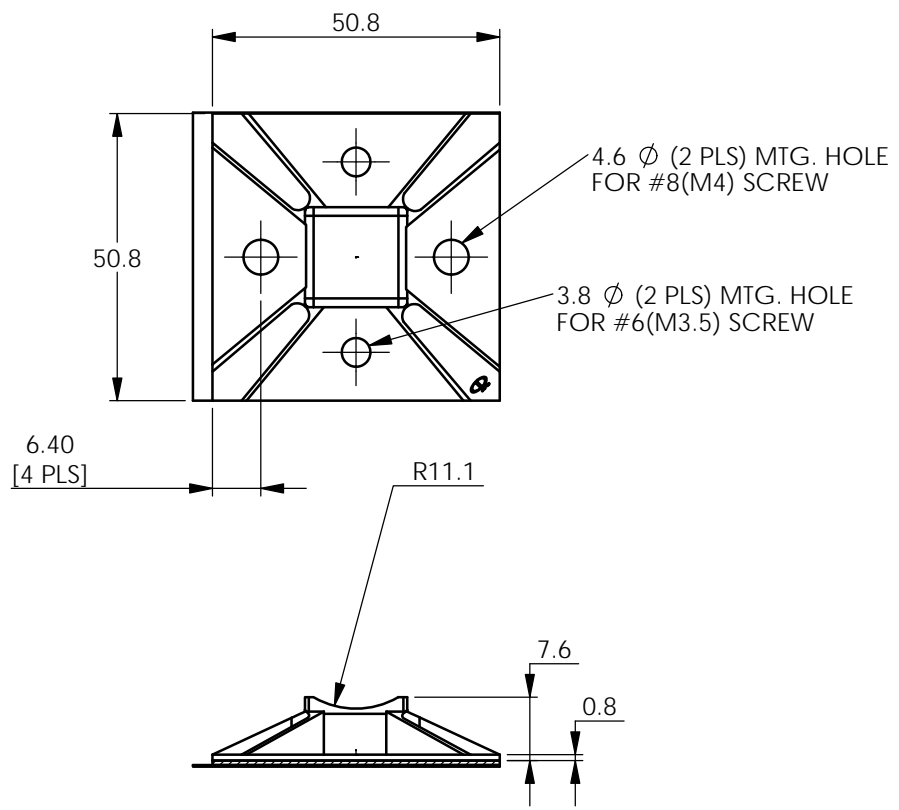


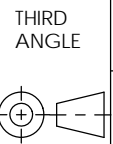
REV.	MODIFICATION.	DATE	DRN
01	CO2011075	18/02/11	SF



INFORMATION CONTAINED IN THIS DOCUMENT IS CONFIDENTIAL TO RICHCO INTERNATIONAL Co. Ltd. AND MAY NOT BE DISCLOSED OR REPRODUCED IN WHOLE OR PART WITHOUT THEIR WRITTEN CONSENT.

RICHCO, INC.
WWW.RICHCO-INC.COM

ALL DIMENSIONS IN mm
GENERAL TOLERANCES ± 0.25
UNLESS OTHERWISE STATED
1 DECIMAL PLACE \pm
2 DECIMAL PLACES \pm
ANGULAR $\pm 1^\circ$



PART NUMBER	MATERIAL	COLOUR	ADHESIVE	CABLE TIES ACCEPTED
FTH-10-01-M	NYLON 6/6 UL94 V-2 (RMS-01)	NATURAL	NONE	ALL RG CABLE TIES UP TO SIZE RG-220/320 AND RG-227C/327, 229/329, 231/331
FTH-10A-RT-M			0.8 THICK, DOUBLE SIDED ADHESIVE (RMS-015)	
PARTS AVAILABLE IN NYLON 6/6 UL94 V-0 (RMS-19) BY SPECIAL ORDER COLOUR:NATURAL				

MATERIAL: See table		COLOUR: See table	
DESCRIPTION: FLAT TIE HOLDER		PART No: See Table	
DRG No: 011-022	NPR No: XXXX-XXX	SHEET SIZE A4	
DRN SF	DATE 18/02/11	CHKD JK	DATE 18/02/11
SCALE NTS	SHEET No. 1 OF 1		