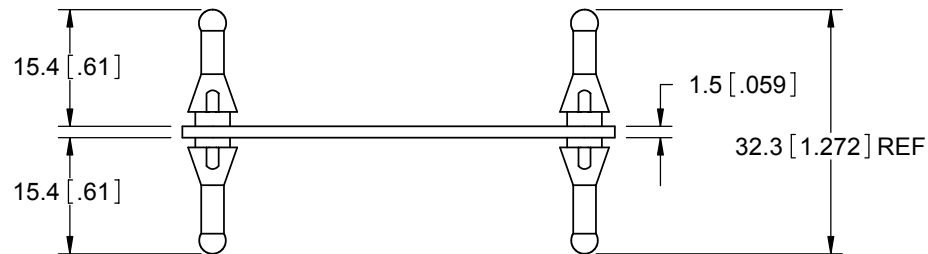
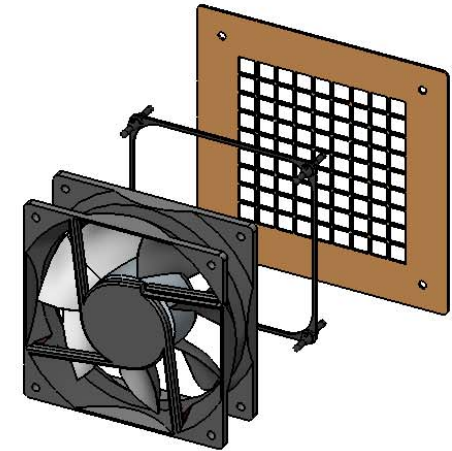
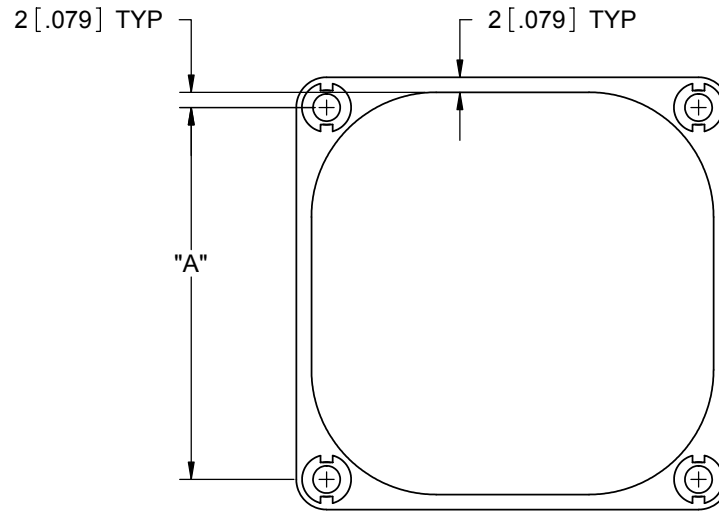
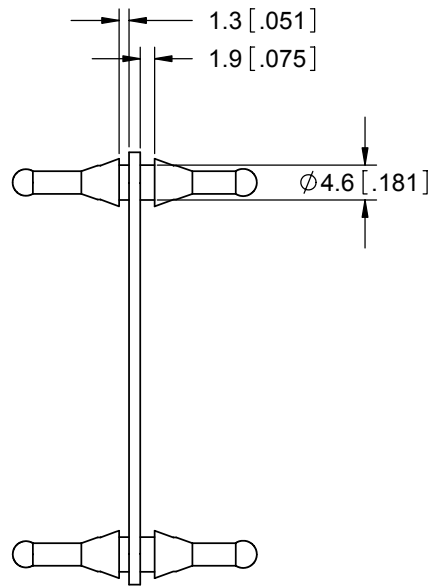


PART NUMBER	"A" AS ASSEMBLED
FMG-1	50 [1.969]
FMG-2	71.5 [2.815]
FMG-3	105.2 [4.142]



- NOTES:
 1. MATERIAL: EPDM RUBBER 40, SHORE A (RMS-180)
 2. COLOR: BLACK
 3. TO PULL THROUGH A 5 ± 0.1 [.197±.039] HOLE, WITH MAXIMUM 1.4 [.055] PANEL AND 2 [.079] FAN THICKNESS
 4. ALTERNATE UNITS FOR REFERENCE ONLY.

TITLE: FAN MOUNT GASKET				DWG IN mm [IN]	FINAL
CREATED USING SOLIDWORKS	FILE #: FMG	DWN: D.J.Z.	APP: D.J.Z.	FINAL	
GENERAL TOLERANCE UNLESS NOTED ±0.25 ANG. ±1°	SHEET: 1 OF 1	SHEET SIZE: A	DT: 01/15/07	CHKD: S.K.	PART #
RE: RICHCO INC.	RICHCO, INC. ENG@RICHCO-INC.COM (773) 539-4060		SEE TABLE		PRINT TYPE CA

REV.	DESCRIPTION	ENGR.	DATE
A	RELEASED FOR PRODUCTION	SK	01/15/07